



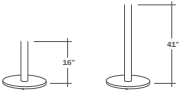

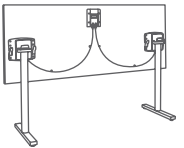

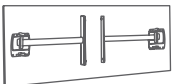

OPTIONS PRICING

December 2024

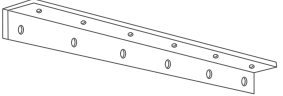
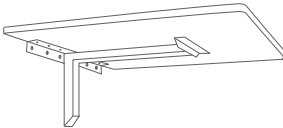
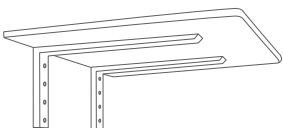
**WEST
COAST
INDUSTRIES**

OPTIONS PRICING

Base Options

AH	Alternate Height Base	76	GSL	Super Level Glides	40
	WCI table bases are available in a custom height within the range of 16" – 41" (per column). Alternate height Florentine bases are 174.			Overall height of .75" is recommended for use on uneven or hard surface floors. Eliminates table wobble by automatically self-leveling. Adjusts up to .25" of wobble. Super level glides will not affect the overall height of the table. Super Level Glides are not available on Blok, Disc, Kone or Platform series. Sold in set of 5 (per base).	
TMX/TMT	Tilt-top with Standard Cable Release	X-base 312 T-base 483	TWC2	Casters 2" Twin Wheel	65
	For use on table bases with up to a 2.5" column diameter. The cable release mechanism activates both mechanisms on a table with two single column T-bases. It is not available on TT bases or Post Leg.			Twin Wheel Casters are 2" diameter black nylon with a black nylon hood and locking tab. Casters will not affect the overall height of the table. Casters are available on Dunhill, Mark IV, Plus, Post Leg, Slimline and Tuscan series. Sold in set of 4.	
FM	Folding Mechanism	T-base 312	MWC3	Casters 3" Mag Wheel	193
	Folding table mechanism must be activated individually. The folding mechanism is available on Dunhill, Mark IV, Plus, Slimline and Tuscan T-bases only. It is not available on TT bases or Post Leg. For use on tables bases with up to a 2.5" column diameter.			Mag Wheel Casters are 3" diameter, single wheel, black polyurethane, with a spoked cast iron core, black chrome plated fork finish and a top locking tab. Casters will not affect the overall height of the table. Casters are available on Vista tables series only. Not Available on Vista with Quartz tops. Sold in set of 4.	

Wall Cleats and Cantilever



	Size	Maximum Top Size	Model #	
Wall Cleat	20	36" wide	WC20	54
				
Cantilever Table Bracket Single	16	21	30" x 36"	CTBS21
	16	33	30" x 48"	CTBS33
				
Cantilever Table Bracket Double	12	12	24" x 24"	CTBD12
	16	18	30" x 24"	CTBD18
	16	24	30" x 30"	CTBD24
	16	30	36" x 36"	CTBD30
	16	36	36" x 42"	CTBD36
	16	42	36" x 48"	CTBD42
				

OPTIONS PRICING



Top Options

CS & CSH	Custom Size/Shape	95
	WCI can manufacture many different size and shape tops; please call customer service 844-815-2217 for more information	
CET	Custom Edge Thickness	95
	WCI can manufacture specific customer edge thickness; please call customer service 844-815-2217 for more information	
CRC	Custom Radius Corner	95
	WCI can manufacture specific custom radius corners; please call customer service 844-815-2217 for more information	
CRL3	3" Radius Corner	40
	3" Radius corners are available on laminate tops with a self-edge, also available on Ultrafoam and Corian® tops. (per corner)	
CRW3	3" Wood Radius Corner	95
	3" Radius corners are available on laminate tops with wood edges. Not available in LWFL, WWFL, LWPI, WWPI (per corner)	
UMB	2" Umbrella Hole	286
	Available on Outdoor Basic Round, Bistro, Flat Round, Disc, Park and Platform tables only (per table).	

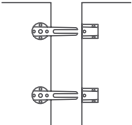
Grommets

GMBM, GMSC & GMPC	2" Round Metal Grommet	160
	Matte black (GMBM), Satin chrome (GMSC) Polished chrome (GMPC)	
GPMBM	2" Round Plastic Grommet	51
	Matte black (GPMBM)	

Wire Management

WMJ	Black Plastic J-Trough 48" long	134
	Under table mounted J-trough provides concealed cable management. Matte black plastic, attachment hardware not included.	
WML	Legway Wire Manager 26"	65
	Vertical trough provides concealed cable management. Matte black plastic, attachment adhesive included.	

Ganging Clips

GC	Ganging Clips	171
	Connects two table tops for use as one large table. Friction and bolt release allows for quick separation. Set includes two clips and two brackets. One set is recommended per table side.	

W	C
---	---