



CREATE WITH WCI

DESIGNER'S AID



WEST
COAST
INDUSTRIES



CREATE WITH WCI

PRODUCTS: Triad Tables & Zig Banquette



Where your inner rebel meets ours.
Collaborate with us to explore
your vision, push your creative limits
and create the reimagined.



COVER: DOORDASH HQ, SAN FRANCISCO
PRODUCTS: Straight Banquette & Round Quartz table tops



CREATE WITH WCI 02

SEATING 06

Statement of Line
Specifications
Seating Request Form

TABLES 19

Statement of Line
Edge Profiles

OUTDOOR 27

Statement of Line
Edge Profiles

SPACE PLANNING 30

Seating & Tables Layout
Table Seating Capacities
ADA Recommendations

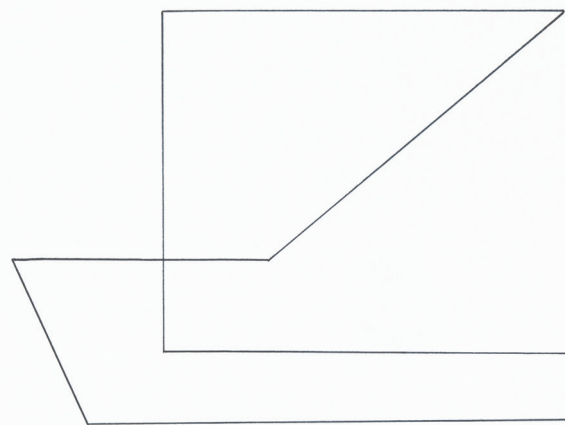
MATERIALS & FINISHES 41

Materials & Finishes
Laminate Reference Guide
Solid Surface Reference Guide
Quartz Reference Guide
Wood Tops

SEATING



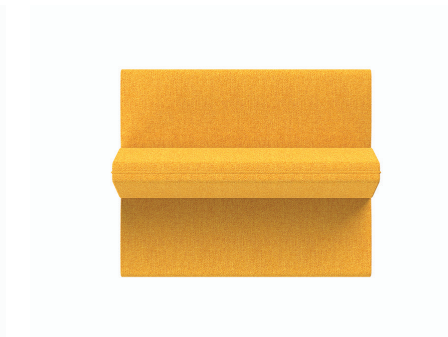
PRODUCTS: Brae Double Table & U-Shape Banquette



SEATING – Statement of Line



Single



Double



U-Shape



3/4 Circle



Straight



L-Shape



Custom Curve



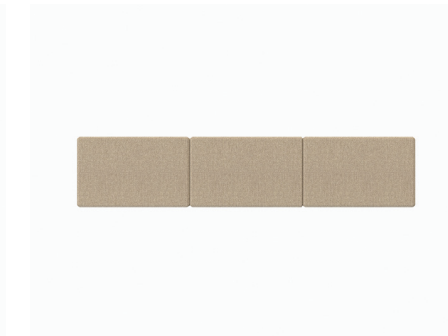
Rotunda



Ellipse



Zig



Bench

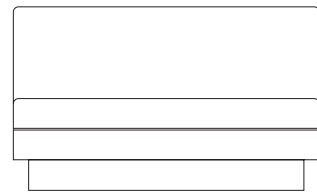


Ottoman

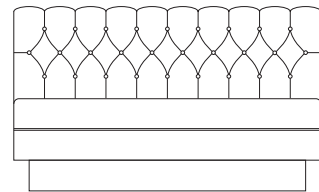
Custom shapes are available upon request. Images shown are representations of WCI standard configurations.



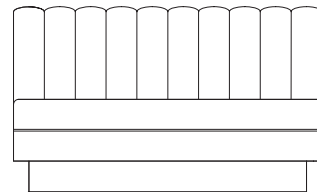
INSIDE BACK STYLES



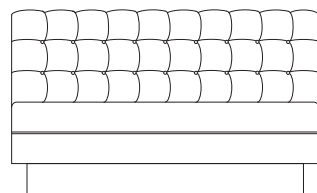
Plain upholstered (standard)



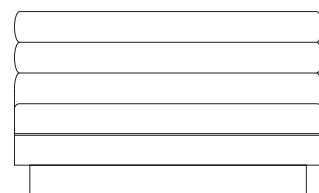
Diamond tufted



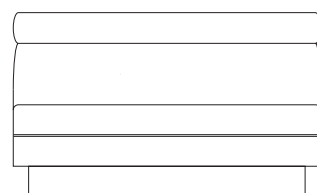
3" – 6" wide vertical channels



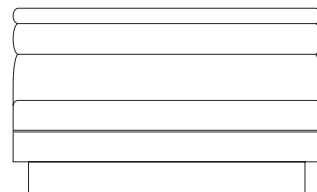
Biscuit tufted



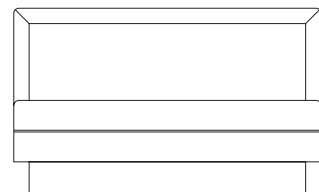
6" wide horizontal channels



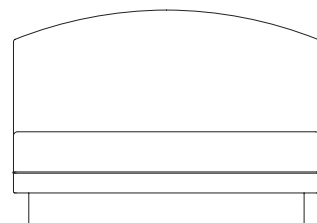
Plain back with 4" – 6" wide headroll



Graduating width horizontal channels



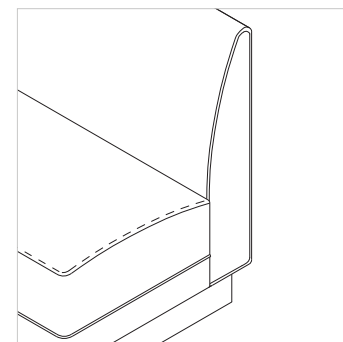
Plain back with 3" wide picture frame headroll



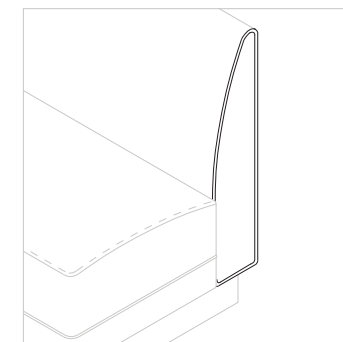
High rise curved back



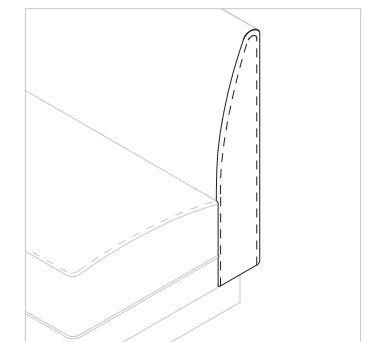
END PANEL STYLES



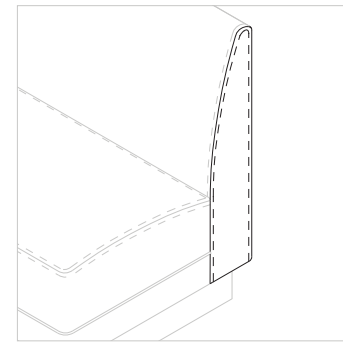
Wrap-around upholstered (standard)



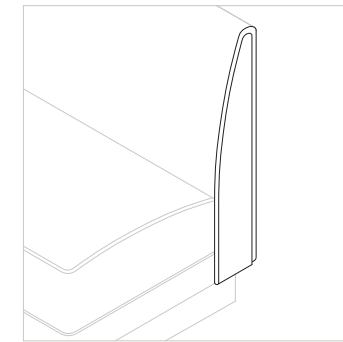
Self upholstered with welt all around



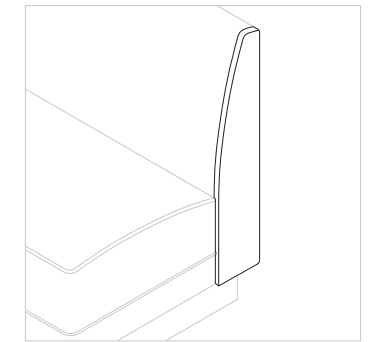
Self upholstered with french stitch



Self upholstered with baseball stitch



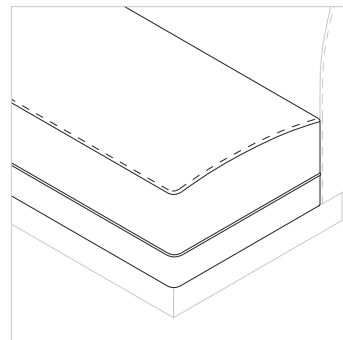
Applied upholstered end panel with welt all around



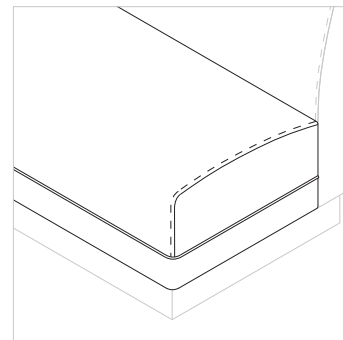
Applied laminate or wood veneer end panel



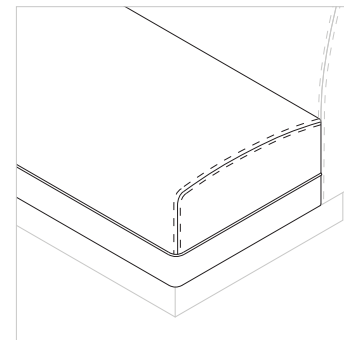
SEAT STYLES



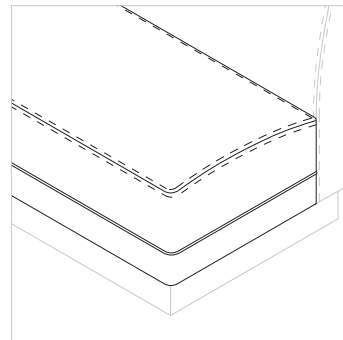
Plain upholstered with french stitch on all seat top edges (standard)



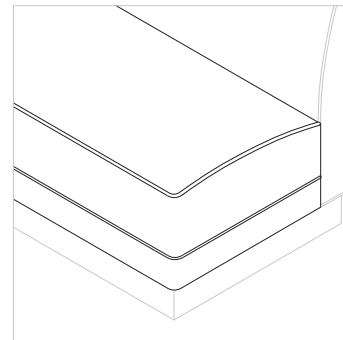
Waterfall upholstered front and back edges with french stitch on ends



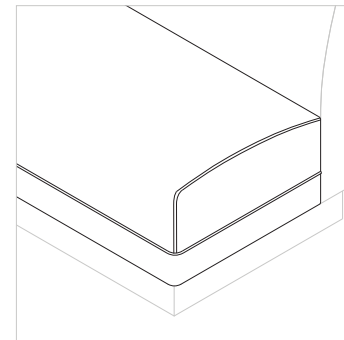
Waterfall upholstered front and back edges with baseball stitch on ends



Plain upholstered with baseball stitch on all seat top edges

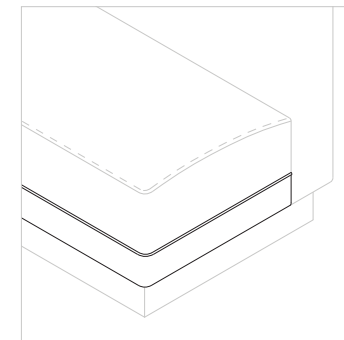


Plain upholstered with welt on all seat top edges

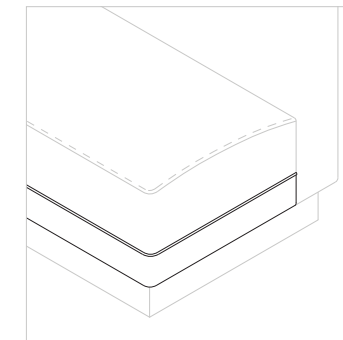


Waterfall upholstered front and back edges with welt on ends

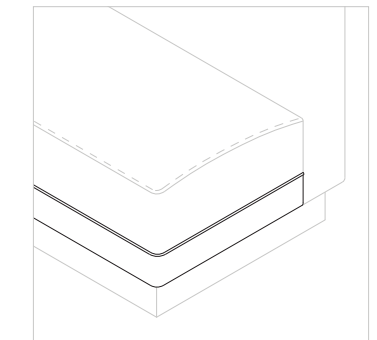
SEAT APRON STYLES



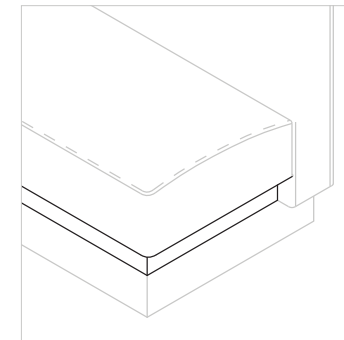
Flush seat upholstered apron with welt (standard)



Flush seat laminate apron with welt



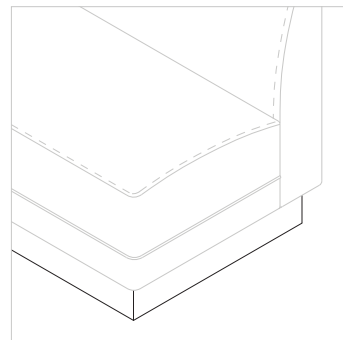
Flush seat wood veneer apron with welt



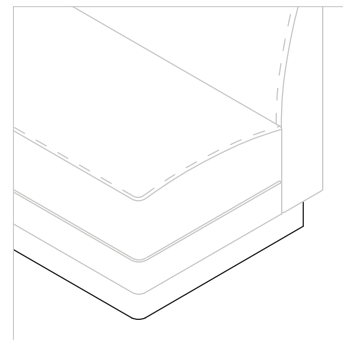
Recessed seat apron



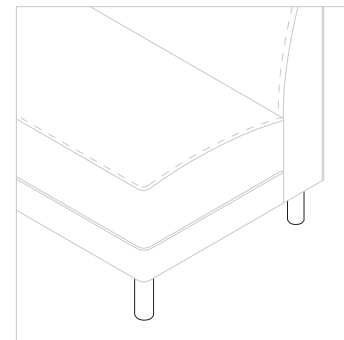
BASE AND LEG STYLES



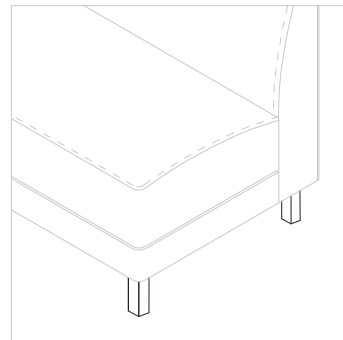
Enclosed base square corners, square or slanted profile (standard)



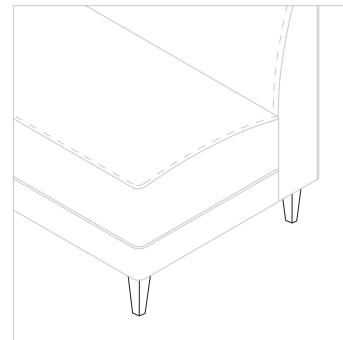
Enclosed base radius corners



Metal or wooden round legs

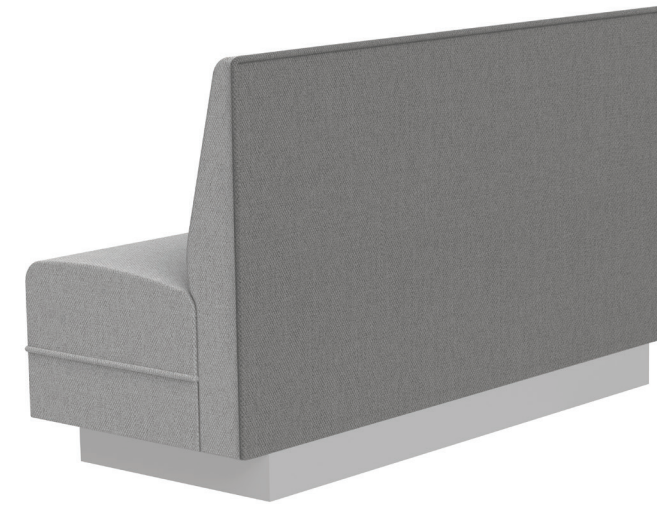


Metal or wooden square legs

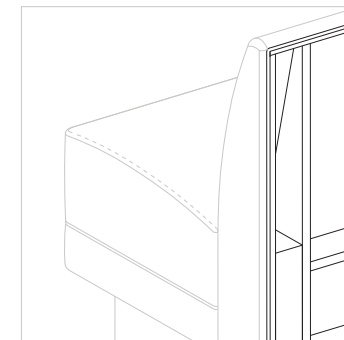


Metal or wooden tapered legs

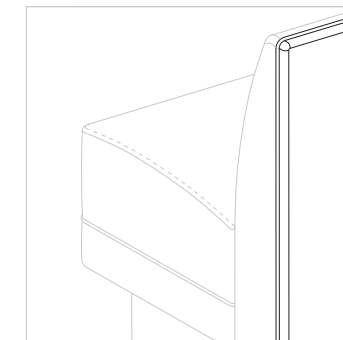
A recessed base can be used in conjunction with leg supports for additional stability.



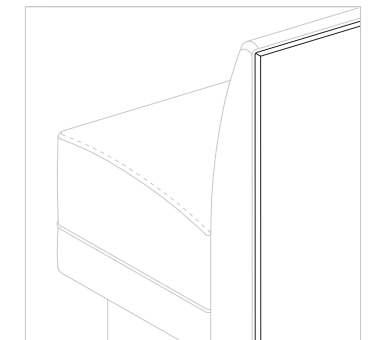
OUTSIDE BACK STYLES



Unfinished (standard)

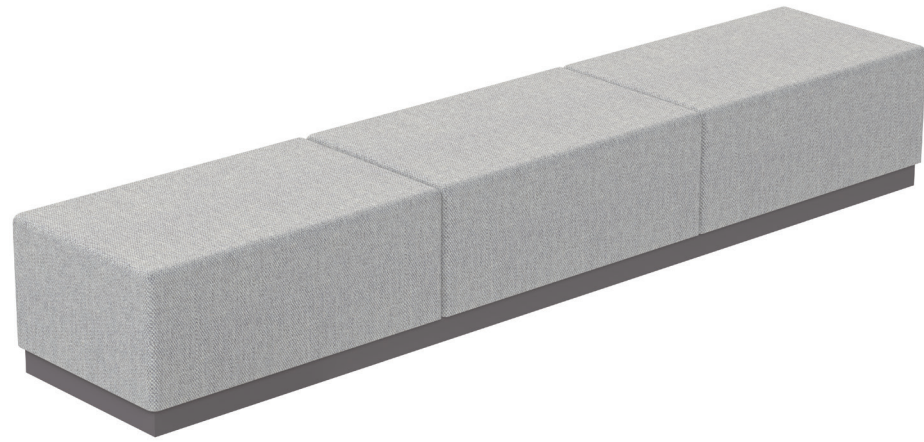


Plain upholstered with welt

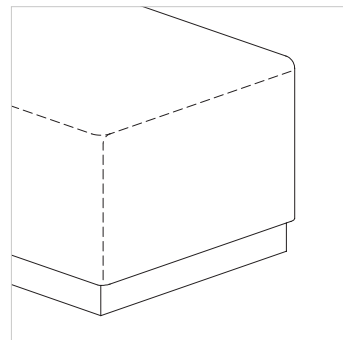


Applied laminate or wood veneer back with welt

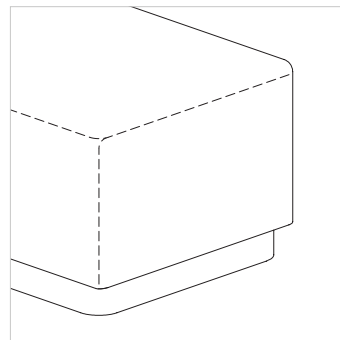
Custom back materials are available upon request.



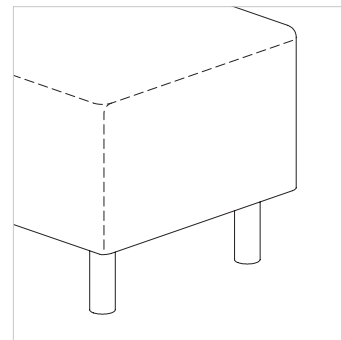
BENCH BASE AND LEG STYLES



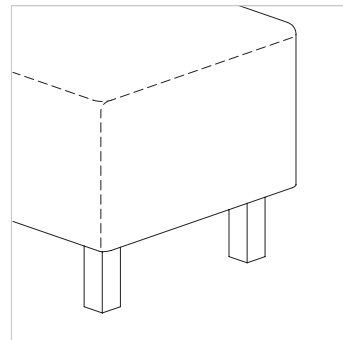
Enclosed base square corners, square or slanted profile (standard)



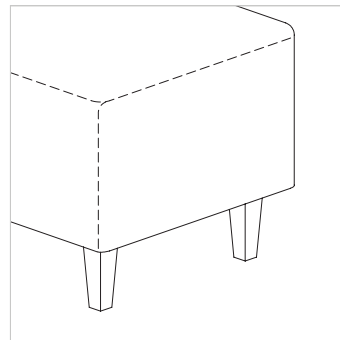
Enclosed base radius corners



Metal or wooden round legs



Metal or wooden square legs

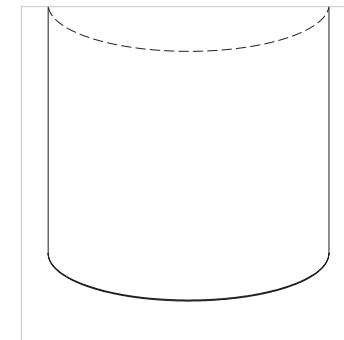


Metal or wooden tapered legs

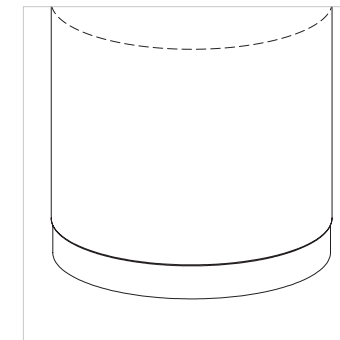
Custom base and leg materials are available upon request.



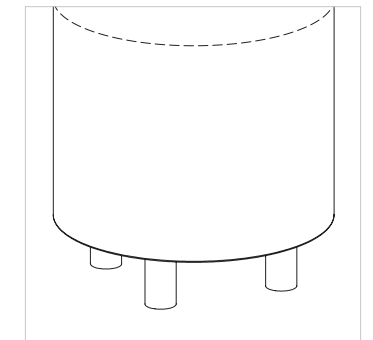
OTTOMAN BASE AND LEG STYLES



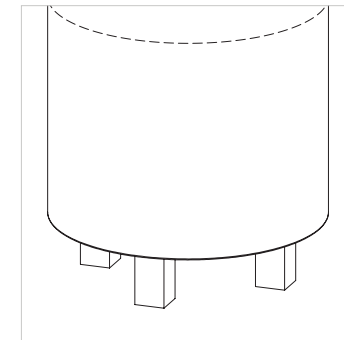
No base



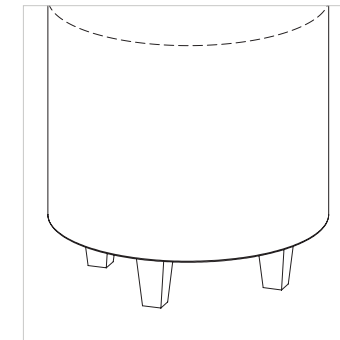
Enclosed base radius corners



Metal or wooden round legs



Metal or wooden square legs



Metal or wooden tapered legs

Custom base and leg materials are available upon request.

Due Date: _____

Project Name / Number: _____

Client Name: _____



CONFIGURATION

(Please check one: Required to Specify and Quote)

- | | | |
|-----------------------------------|---------------------------------------|----------------------------------|
| <input type="checkbox"/> Single | <input type="checkbox"/> Straight | <input type="checkbox"/> Ellipse |
| <input type="checkbox"/> Double | <input type="checkbox"/> L-Shape | <input type="checkbox"/> Zig |
| <input type="checkbox"/> U-Shape | <input type="checkbox"/> Custom Curve | <input type="checkbox"/> Bench |
| <input type="checkbox"/> ¾ Circle | <input type="checkbox"/> Rotunda | <input type="checkbox"/> Ottoman |
| <input type="checkbox"/> Custom | | |

DIMENSIONS

(Required to Specify and Quote)

Overall Length: _____

Seat Depth: _____

Overall Height: _____

Seat Pitch: _____

Overall Depth: _____

Apron Height: (if applicable) _____

Back Depth: _____

Base Height: _____

Overall Seat Height: _____

Base / Leg: _____

Overall Diameter (Rotunda/Ottoman Only): _____

Diameter (Ottoman Only): _____

STYLE GUIDE

(Required to Specify and Quote)

Inside Back: _____

Back Fabric: _____

End Panels: _____

Seat Fabric: _____

Seat Style: _____

Apron Material: _____

Seat Apron Style: _____

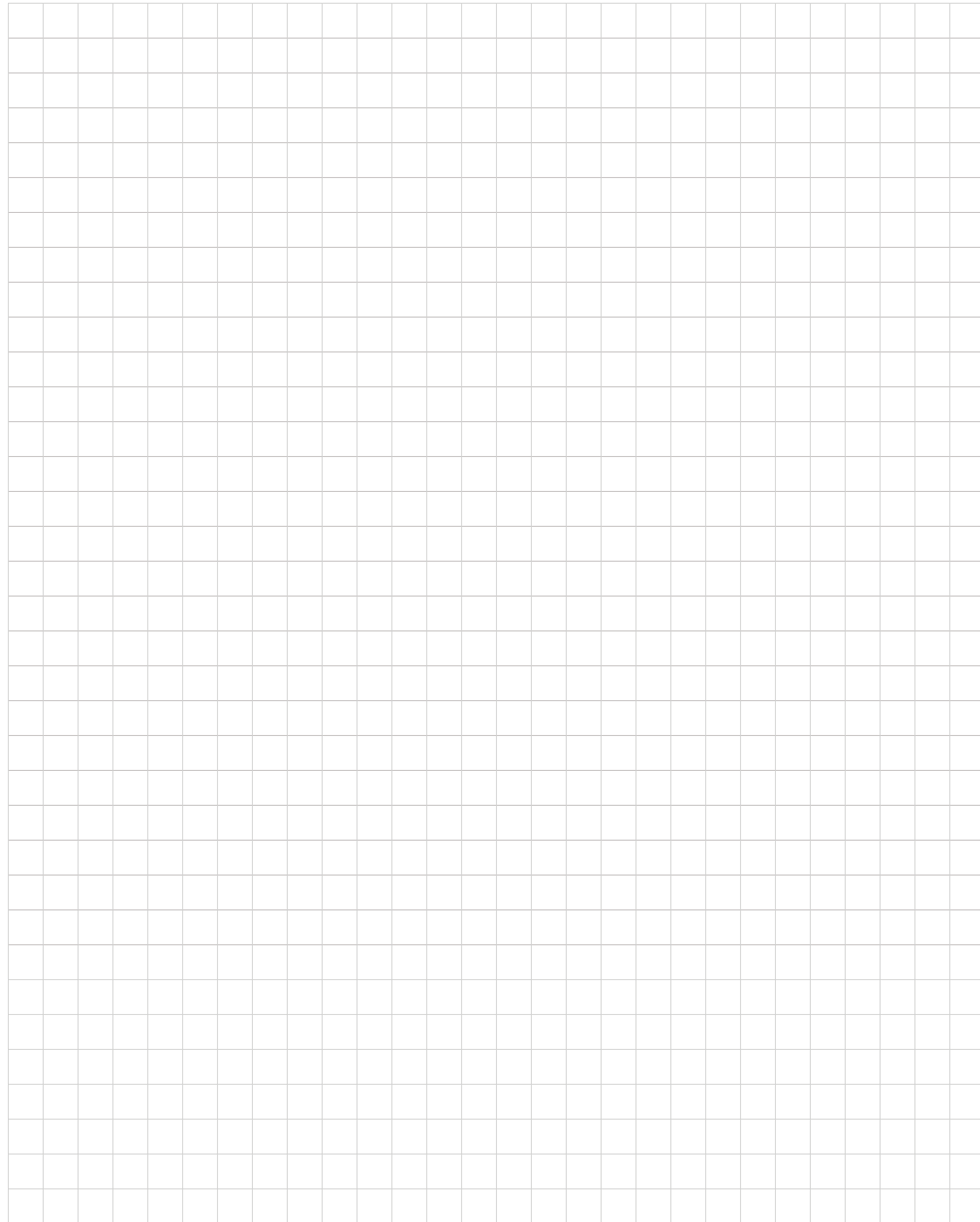
Base Material: _____

Base / Leg Style: _____

Outside Back Style: _____

* A floor plan is required for quotation purposes

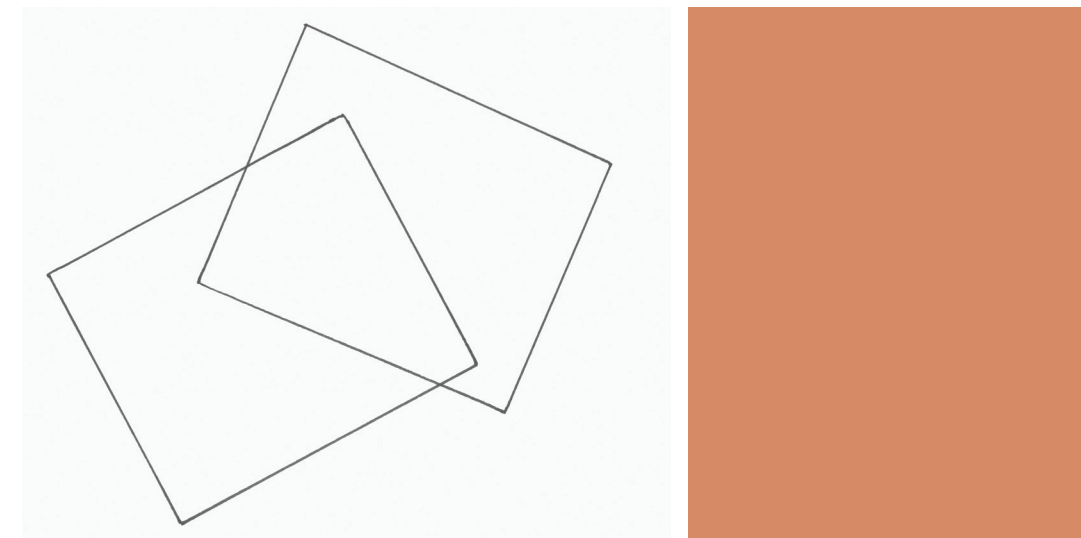
CREATE



TABLES



PRODUCTS: Brae Tables & Straight Banquette



DINING & MULTIPURPOSE



Alumiline



Basic Round



Blok



Bolt Down



Brae



Brae Double



Canvas



Cruz



Disc



Dunhill



Flat Round



Kone



Mark IV



Move



Parsons



Platform

DINING & MULTIPURPOSE



Platform Double



Plus



Post Leg



Regency



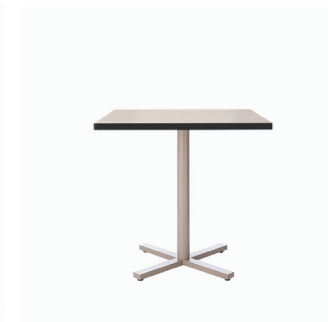
Slimline



Spacesaver



Tulip



Tuscan



Vista

OCCASIONAL



Blok Occasional



Brae Occasional



Cruz



Cube



Cylinder



Disc Occasional



Kone Occasional



Move



Parsons Occasional

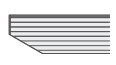



Platform Occasional





Triad


OCCASIONAL TABLES — FACET EDGES

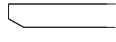
LFCT **Facet Ply Edge**
 1" thick facet edge
 Square and rectangle tops with standard square corners
 Available on 1" thick top
 Available in 19 standard laminates

LMFC **Mini-Facet Ply Edge**
 .5" thick facet edge
 Square tops with standard square corners
 Available in .5" thick top
 Available in 19 laminate finishes

WFCT **Veneer Occasional Facet Edge**
 1" thick facet edge
 Square and rectangle tops with standard square corners
 Available on 1" thick top
 Available in 5 wood species and 20 stains


WMFC **Mini Veneer Facet Self Edge**
 .5" thick wood edge
 Square and rectangle tops with standard square corners
 Available in 5 wood species and 20 stains

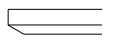
COFM **Mini Corian® Facet Edge**
 .5" Corian® with .5" thick edge
 Square tops with standard square corners
 Available on .5" thick top
 Available in 8 finishes

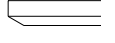
3FFM **Mini 3form® Chroma® Facet Edge**
 .5" thick 3form® Chroma®
 Square tops with standard square corners
 Available on .5" thick top
 Available in 10 finishes

MOVE TABLE EDGES


LMOV **Ply Move Edge**
 .5" thick exposed Baltic Birch plywood edge
 Standard with .63" radius corners

WMOV **Veneer Move Edge**
 .5" thick wood edge
 Standard with .63" radius corners
 Available in 5 wood species and 20 stains

CMOV **Corian® Move Edge**
 .5" thick Corian® material
 Standard with .63" radius corners
 Available in 8 standard colors


3MOV **3form® Chroma® Move Edge**
 .5" thick 3form® Chroma® material
 Standard with .63" radius corners
 Available in 10 Chroma® colors


CRUZ TABLE EDGES

LCRZ **Ply Cruz Edge**
 .5" thick exposed Maple plywood edge
 Standard with 1.25" radius corners
 Available in 7 laminates: Designer white, Studio teak, Jett black, Fashion grey, Silver Alu, Looks Likeatre, and Appears Likeatre.

WCRZ **Veneer Cruz Edge**
 .5" thick exposed Maple plywood edge
 Standard with 1.25" radius corners
 Available in Ash and 6 stains


TRIAD TABLE EDGES

WWTR **Triad Prism Edge**
 1" x 1" prism wood edge
 Available on 1" thick top
 Available in Ash and 6 stains

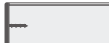
COPR **Corian® Prism Edge**
 .5" thick Corian® material with 1" edge
 Square and rectangle tops standard with square corners
 Available in 8 standard colors

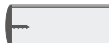
TABLES — Edge Profiles

SELF EDGE

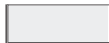
LLSE	Self Laminate Edge
	1.25" thick edge Edge is banded with matching standard grade top plastic laminate Square and rectangle tops standard with square corners Available on 1.25" thick top Available in 19 standard laminates

VINYL EDGES

LVFL	Flat Vinyl T-Mold Edge
	.125" x 1.25" flat vinyl edge Square and rectangle tops standard with 2" radius corners Available on 1.25" thick top Available in 12 colors

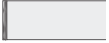
LVBP	Bumper Vinyl T-Mold Edge
	.1875" x 1.25" rounded vinyl bumper edge Square and rectangle tops standard with 2" radius corners Available on 1.25" thick top Available in 12 colors


PVC EDGE


LPVC	Flat PVC Edge
	.125" x 1.25" flat pvc edge Square and rectangle tops standard with square corners Available on 1.25" thick top Available in 12 colors

WOOD EDGES GROUP A

LW = Laminate top with a wood edge available in 19 standard laminates
WW = Wood top with a wood edge available in 5 wood species and 20 stains

LWFL & WWFL	Flat Wood Edge
	.125" thick flat wood edge, eased corners Square and rectangle tops standard with square corners Available on 1.25" thick top Available in 5 wood species and 20 stains


LWTP & WWTP	Tapered Ply Edge
	1" thick exposed Baltic Birch plywood edge with a reverse beveled tapered profile Square and rectangle tops standard with square corners Available on 1" thick top


LWFP & WWFP	Flat Ply Edge
	1" thick exposed Baltic Birch plywood edge with a flat profile Square and rectangle tops standard with square corners Available on 1" thick top


TABLES — Edge Profiles

WOOD EDGES GROUP B

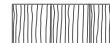
LW = Laminate top with a wood edge available in 19 standard laminates
WW = Wood top with a wood edge available in 5 wood species and 20 stains


LWSQ & WWSQ	Square Wood Edge
	1.25" x 1.25" flat square wood edge Square and rectangle tops standard with square corners Available on 1.25" thick top Available in 5 wood species and 20 stains

LWBN & WWBN	Bullnose Wood Edge
	1.25" x 1.25" bullnose wood edge Square and rectangle tops standard with square corners Available on 1.25" thick top Available in 5 wood species and 20 stains

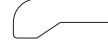
LWPR & WWPR	Prism Wood Edge
	1.25" x 1.25" prism wood edge Square and rectangle tops standard with square corners Available on 1.25" thick top Available in 5 wood species and 20 stains

BUTCHER BLOCK EDGES

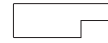
BBFL	Butcher Block Flat Edge
	1.3125" finger jointed strips x 1.375" thick, 1.875" thick on 60" diameter tops only Square and rectangle tops standard with square corners Available on 1.375" thick top Available in Maple and 3 stains


BBBN	Butcher Block Bullnose Edge
	1.3125" finger jointed strips x 1.375" thick, 1.875" thick on 60" diameter tops only Square and rectangle tops standard with .5" radius corners Available on 1.375" thick top Available in Maple and 3 stains

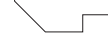
ACRYLIC EDGE

AAOP & AATL	Acrylic Opaque / Acrylic Translucent Tops With Waterfall Edges
	1.25" acrylic top with waterfall edge Square and rectangle tops standard with 3" radius corners Available in 7 colors


CORIAN® EDGES


COFL	Corian® Flat Edge
	.5" thick Corian® material with 1" thick edge Square and rectangle tops standard with .125" radius corners Available in 8 colors

COBN	Corian® Bullnose Edge
	.5" thick Corian® material with 1" thick edge Square and rectangle tops standard with .5" radius corners Available in 8 colors

COPR	Corian® Prism Edge
	.5" thick Corian® material with 1" thick edge Square and rectangle tops standard with square corners Available in 8 colors

QUARTZ EDGES

Q1FL & Q2FL	Quartz Flat Edge
	.75" thick material With .75" painted plywood subtop, 3" inset from edge Square and rectangle tops with standard square corners Available in 7 colors

Q1BN & Q2BN	Quartz Bullnose Edge
	.75" thick material With .75" painted plywood subtop, 3" inset from edge Square and rectangle tops with standard square corners Available in 7 colors

TABLES — Edge Profiles

FACET EDGES – BLOK & KONE TABLES

LFSE

Facet Self Edge



1.25" thick facet edge
Square and rectangle tops with standard square corners
Available on 1.25" thick top
Available in 19 standard laminates

WVFC

Veneer Facet Self Edge



1.25" thick facet edge
Square and rectangle tops with standard square corners
Available on 1.25" thick top
Available in 5 wood species and 20 stains

WWFC

Wood Facet Edge



1.25" x 1.25" thick facet wood edge
Square and rectangle tops with standard square corners
Available in 1.25" thick tops
Available in 5 wood species and 20 stains

COFC

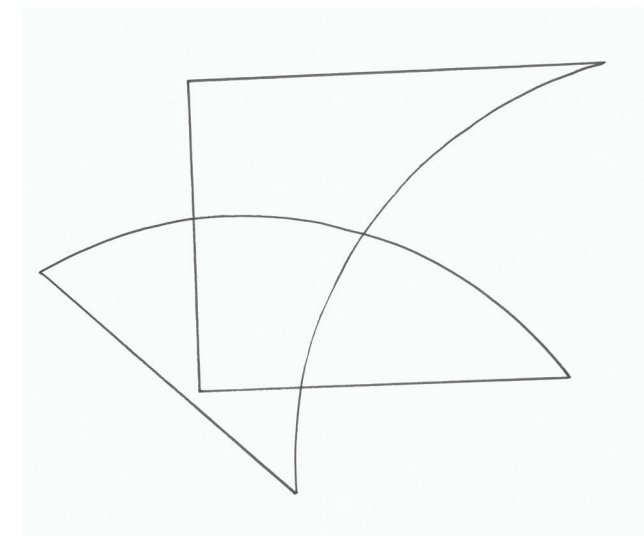
Corian® Facet Edge



.5" Corian® with 1" thick edge
Square and rectangle tops with standard square corners
Available on 1" thick top
Available in 8 finishes



ALFRED R GOLDSTEIN LIBRARY, FLORIDA
PRODUCTS: Outdoor Platform Tables



OUTDOOR TABLES



Basic Round



Bistro



Brae



Brae Double



Disc



Flatround



Mark IV



Platform



Platform Double



Tulip



Vista

OUTDOOR CHAIRS



Picnic



Polly

ACRYLIC EDGE

AAOP & AATL



Acrylic Opaque / Acrylic Translucent Tops
With Waterfall Edges

1.25" acrylic top with waterfall edge
Square and rectangle tops standard with 3"
radius corners
Available in 7 colors

CORIAN® EDGES

COFL



Corian® Flat Edge

.5" thick Corian® material with 1" thick edge
Square and rectangle tops standard with .125"
radius corners
Available in 8 colors

COBN



Corian® Bullnose Edge

.5" thick Corian® material with 1" thick edge
Square and rectangle tops standard with .5"
radius corners
Available in 8 colors

COPR



Corian® Prism Edge

.5" thick Corian® material with 1" thick edge
Square and rectangle tops standard with
square corners
Available in 8 colors

OUTDOOR METAL TOP EDGES

MEM



Metal Mesh Top

1" galvanized metal top with radius edge and
mesh insert
Round, square, or rectangle
Available in 11 powder coats
*Only available on Bistro complete tables

MES



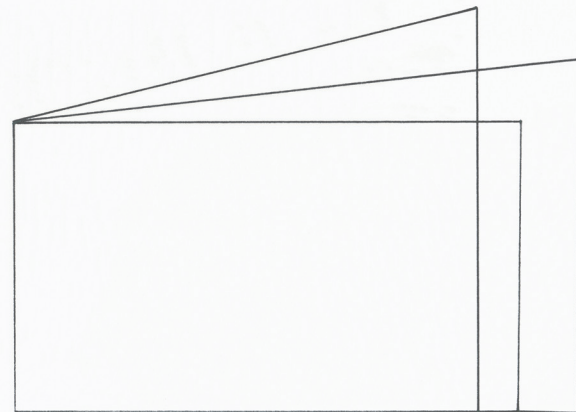
Metal Solid Edge

1" galvanized metal top with bullnose edge
Round, square, or rectangle
Available in 11 powder coats

SPACE PLANNING

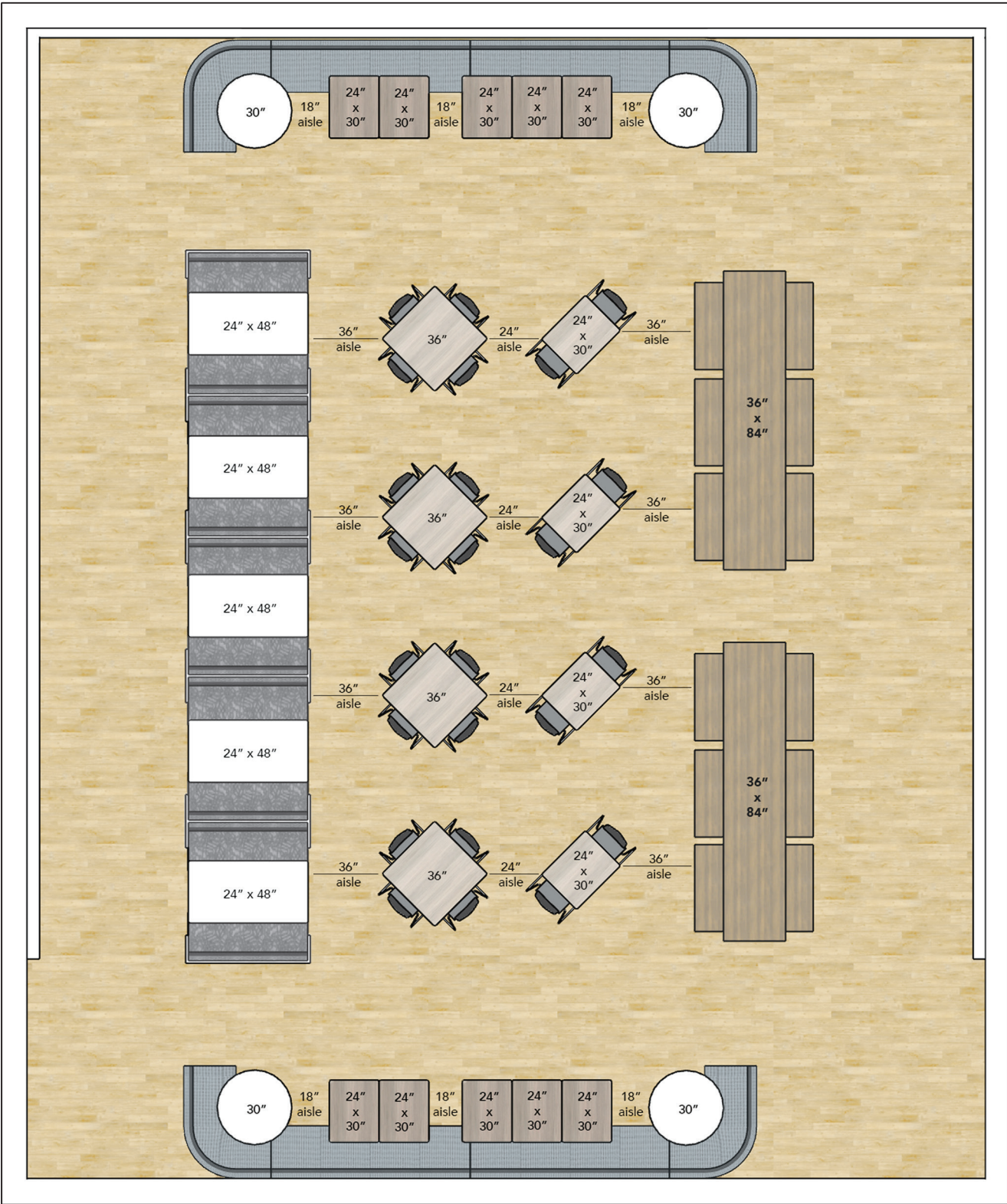


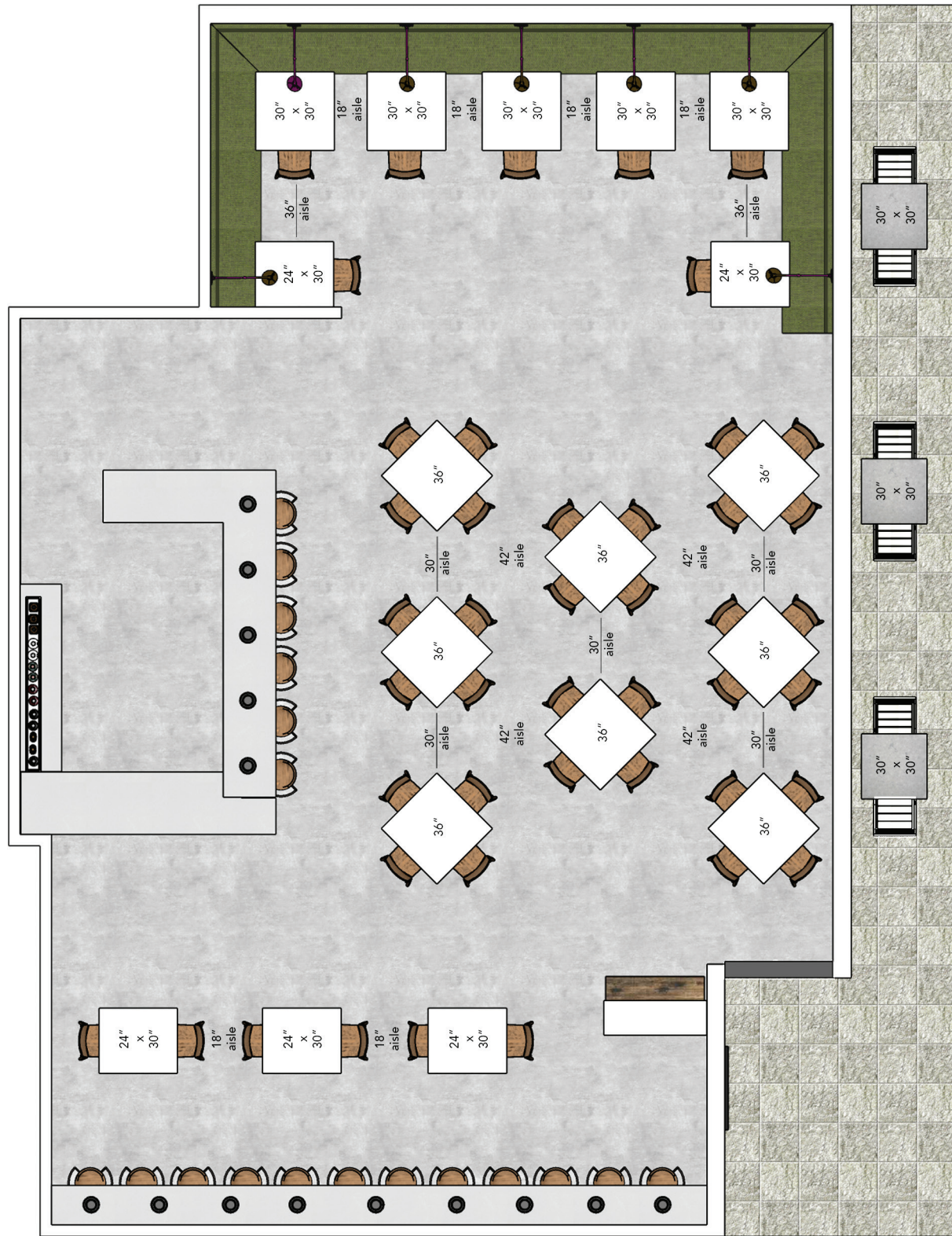
LYFT HQ, NEW YORK
PRODUCTS: Rotunda Banquette



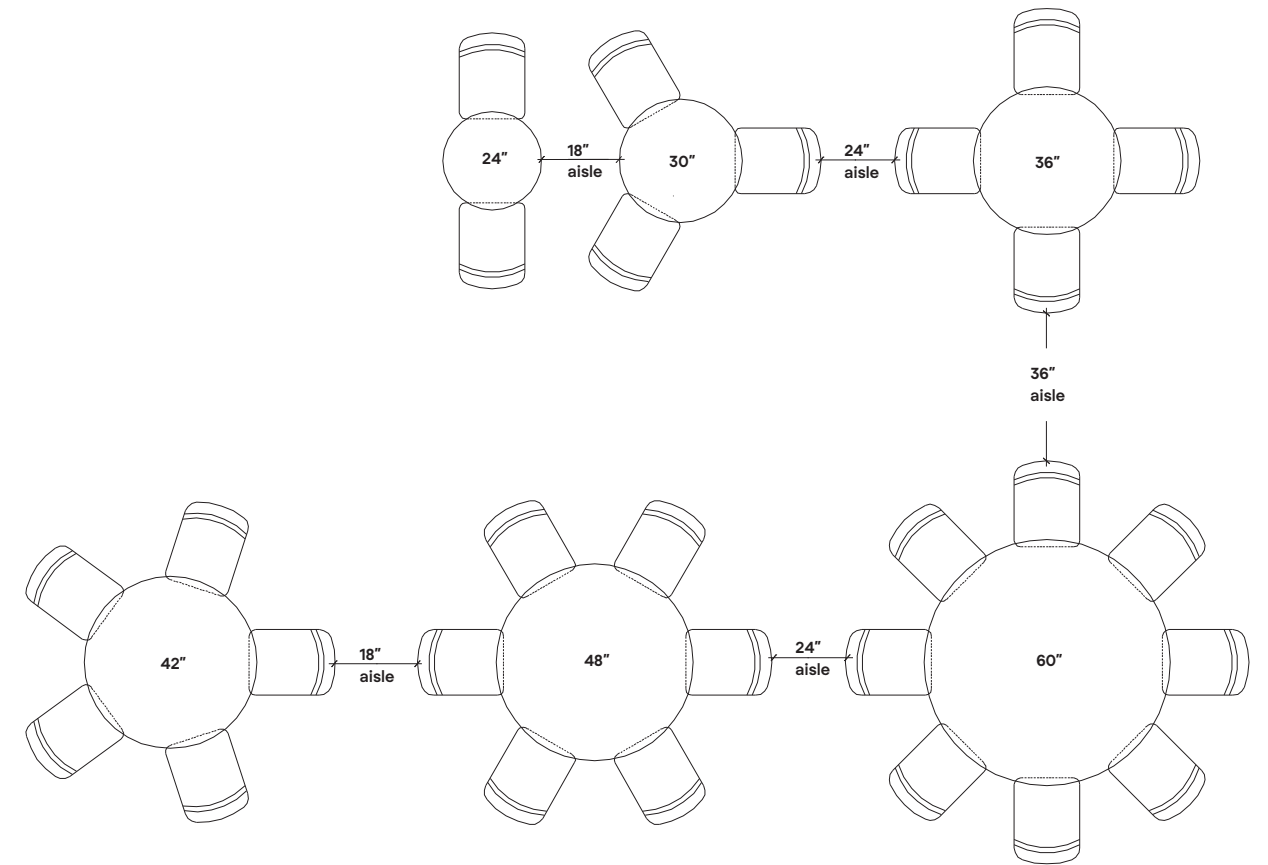
SPACE PLANNING – Conference Room Layout

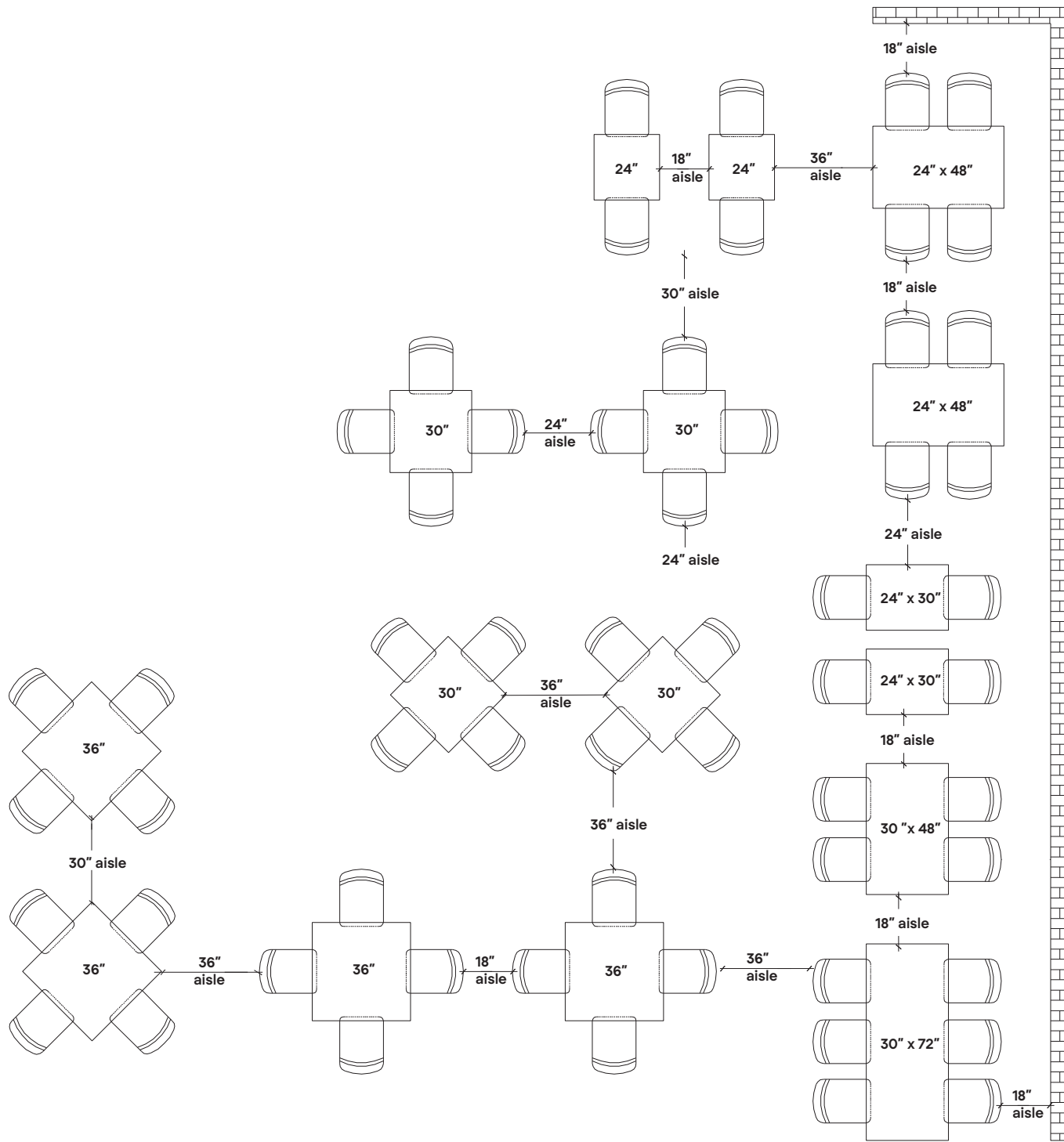




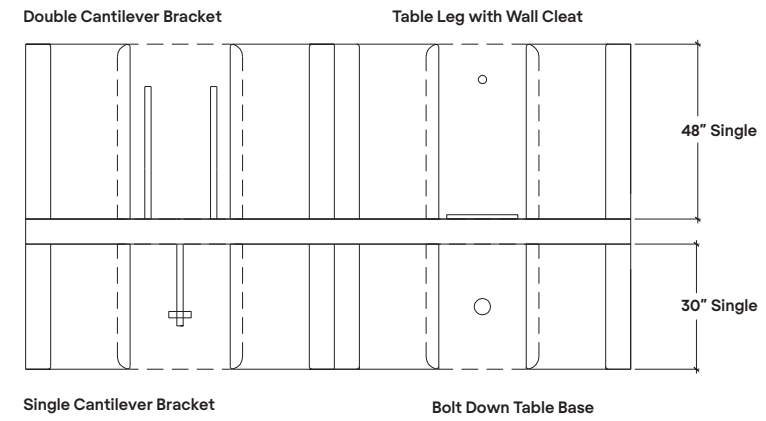


Seating Capacity	All dimensions are based on 18" from table edge to chair back to allow for seated person.
Spacious Dining	14 sq. ft. per person
Cafeteria or Restaurant Dining	12 sq. ft. per person
Banquette, Institutional, Fast Food Dining or Close Seating	10 sq. ft. per person
Aisle Allowances	Chair back to chair back: 18" to 24" aisle 6" min. for access only Table corner to table corner: 24" to 36" aisle 12" min. for access only Table side by side: 16" to 18" aisle 3" to 6" for no access Service aisle: 28" to 36" aisle

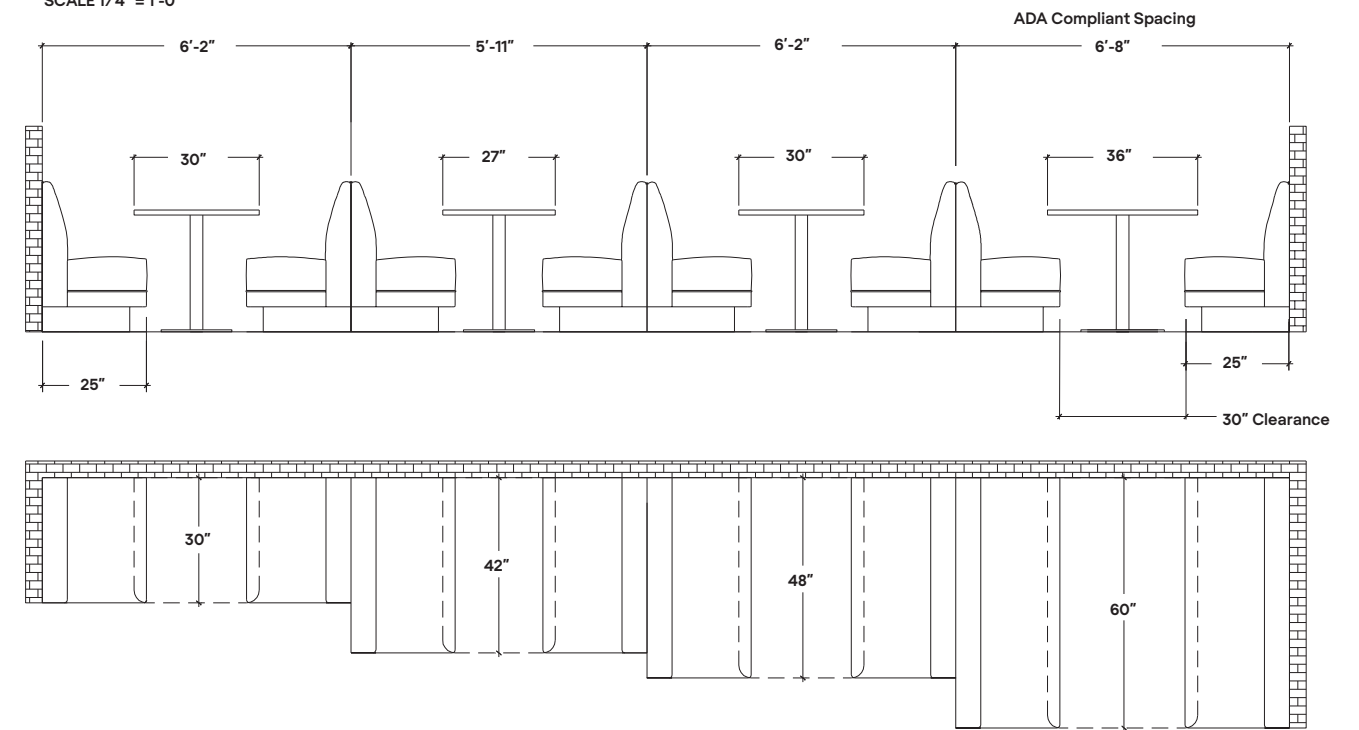




FIXED TABLE ALTERNATIVE
SCALE 1/4" = 1'-0"

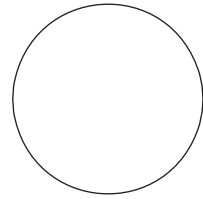


Single and Double Layout
SCALE 1/4" = 1'-0"



ROUND

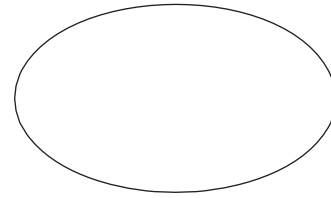
Diameter:	Capacity:
24"	2
30"	3
36"	4
42"	5
48"	6
54"	7
60"	8



Seating Capacity is based on an average chair width of 18" to 22" with 5" between chairs.

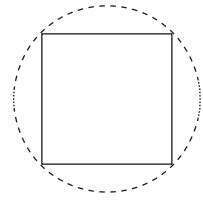
RD SQUARE

Depth x Width:	Capacity:
36" x 72"	6 - 8
42" x 54"	4 - 6
42" x 78"	6 - 8
42" x 84"	6 - 8
48" x 78"	6 - 8
48" x 96"	8



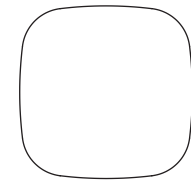
EXTENDO

Depth x Width:	Diameter:	Capacity:
30" x 30"	42"	6 - 8
34" x 34"	48"	4 - 6
36" x 36"	51"	6 - 8
42" x 42"	60"	6 - 8



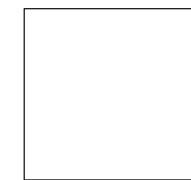
RD SQUARE

Depth x Width:	Capacity:
24" x 24"	2
30" x 30"	2 - 4
36" x 36"	4
42" x 42"	4
48" x 48"	4



SQUARE

Depth x Width:	Capacity:
24" x 24"	2
30" x 30"	2 - 4
36" x 36"	4
42" x 42"	4
48" x 48"	4



RECTANGLE

Depth x Width:	Capacity:
18" x 48"	2
18" x 60"	3
18" x 72"	3
18" x 84"	3
18" x 96"	4
20" x 36"	2
24" x 30"	1 - 2
24" x 36"	2
24" x 42"	4
24" x 48"	4
24" x 60"	6
24" x 72"	6
24" x 84"	6
24" x 96"	8
30" x 36"	2
30" x 42"	2 - 4
30" x 48"	4
30" x 60"	6
30" x 72"	6 - 8
30" x 84"	6 - 8
30" x 96"	8
36" x 42"	2 - 4
36" x 48"	4
36" x 60"	6
36" x 72"	6 - 8
36" x 84"	6 - 8
36" x 96"	8
42" x 72"	6 - 8
42" x 84"	6 - 8
42" x 96"	8
48" x 72"	8
48" x 120"	10 - 12



RECTANGLE

Depth x Width:	Capacity:
24" x 30"	1 - 2
24" x 36"	2
30" x 36"	2
30" x 42"	2 - 4
30" x 48"	4
36" x 42"	2 - 4
36" x 48"	4
36" x 60"	6

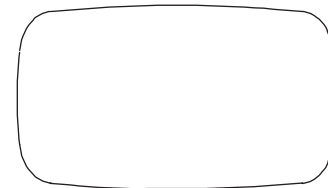


TABLE SEATING – ADA Recommendations

Wheelchair Access

To comply with ADA regulations for wheelchair access to tables WCI recommends a minimum clearance of 27" from the floor to the bottom of the table; a minimum 30" barrier free width and a minimum barrier free depth of 19".

In addition there must be a minimum of 30" unobstructed space from the table edge. Overall table height cannot exceed 34".

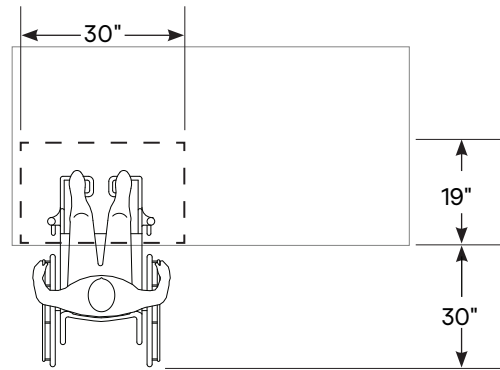
For more information on ADA requirements, the following websites may be useful:

National Network of ADA Centers: www.adata.org

U.S. Justice Department - ADA Home Page: www.ada.gov

ABA and ABA Guidelines Home Page: www.access-board.gov

Minimum Clearance Recommendations



WCI ADA Table Recommendations

42" x 42" Post leg square table (PO4242SQ)

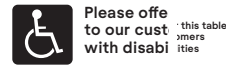
23" x 39" Bistro ADA rectangle table (BI2339REOD)

30" x 48" T- base rectangle table (DUT3048RE, ALT3048RE, MAT3048RE, PRT3048RE, SLT3048RE, SVT3048RE, TUT3048RE)

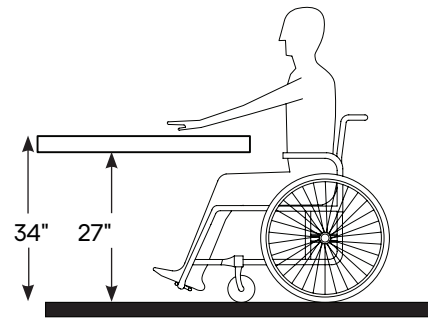
ADA Logo

The ADA logo is standard on the Bistro Outdoor rectangle table. The blue ADA symbol is 1.75" high x 5" wide and is inset from the front table edge on the right-hand side (from seated position).

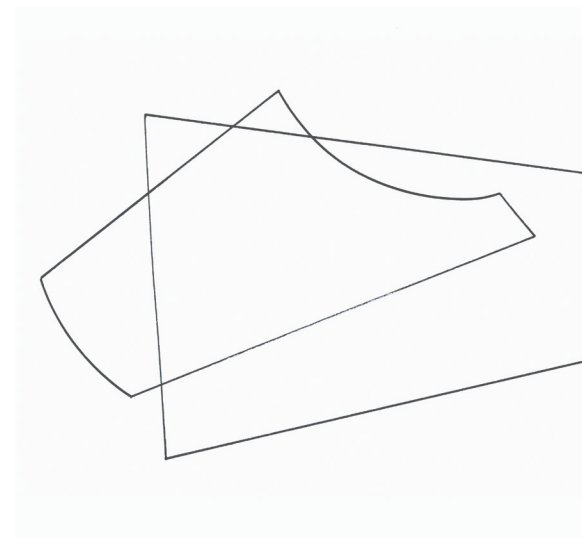
Drawing is not to scale.



Please offer this table to our customers with disabilities

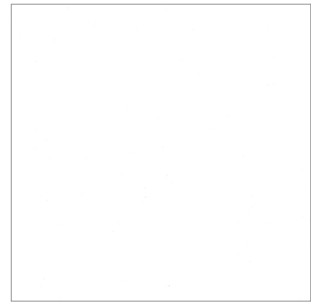


MATERIALS & FINISHES

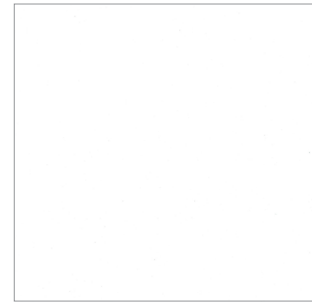


TABLES — Base Finishes

POWDER COAT — SOLIDS



Matte White **MWM**



Gloss White **MWG**

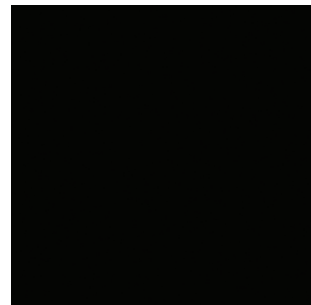


Light Grey **MLG**

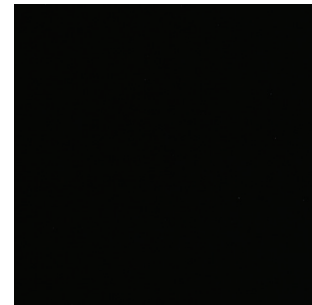


Medium Grey **MMG**

POWDER COAT — METALLICS



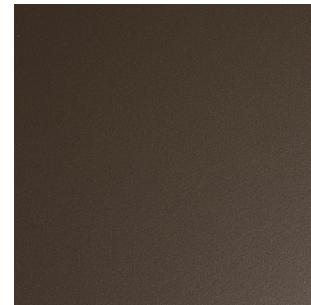
Matte Black **MBM**



Gloss Black **MBG**

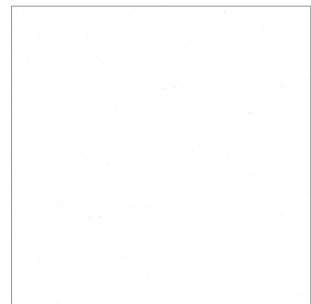


Silver **MSL**

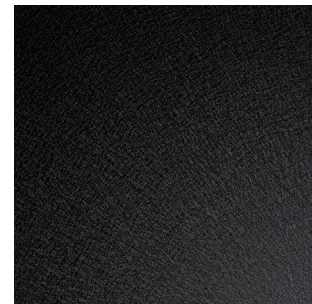


Dark Bronze **MDB**

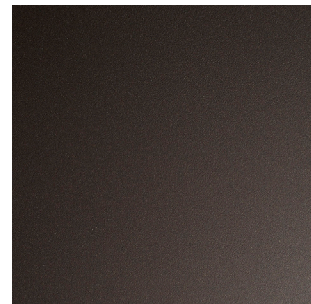
POWDER COAT — TEXTURE



White Texture **MWT**



Black Texture **MBT**



Rubbed Bronze **MRB**

CUSTOM POWDER COAT



Custom Powder Coat
CPC

ALUMINUM

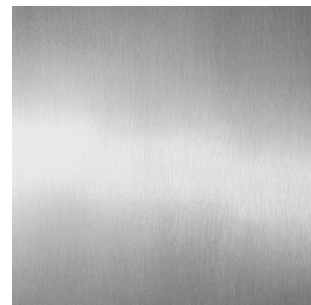


Satin Aluminum **MSA**



Polished Aluminum **MPA**

STAINLESS STEEL



Satin Stainless Steel
MSS



Polished Stainless Steel
MPS

TABLES — Base Finishes

PLATED — STANDARDS

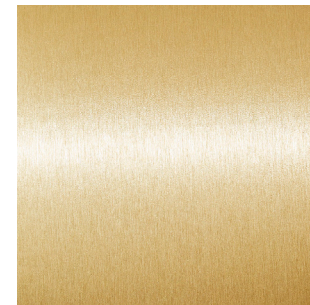


Satin Chrome **MSC**



Polished Chrome **MPC**

PLATED — PREMIUMS



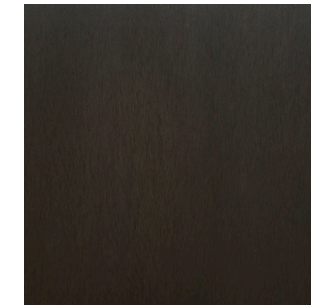
Satin Brass **MSB**



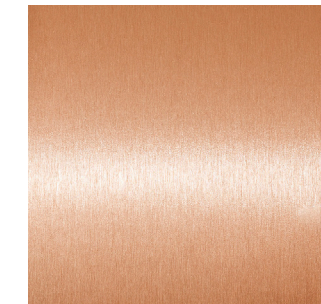
Polished Brass **MPB**



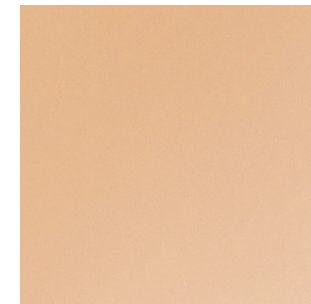
Antique Brass **MAB**



Blackened Brass **MBB**



Satin Copper **MSO**

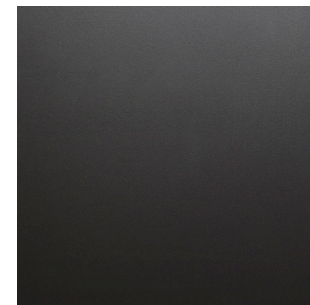


Polished Copper **MPO**



Statuary Bronze **MSZ**

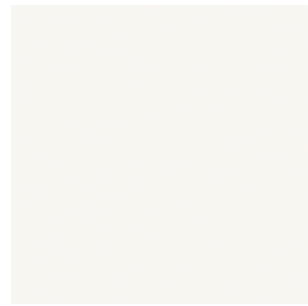
HOT ROLLED STEEL



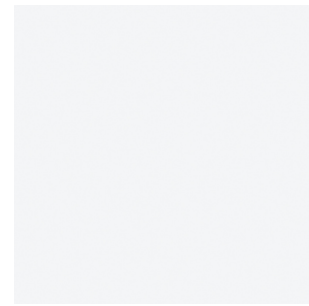
Hot Rolled Steel **MHS**

TABLES — Surface Materials

LAMINATES — SOLIDS



Dover White **LDV**



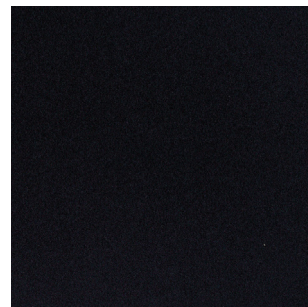
Designer White **LDW**



Fashion Grey **LFG**



Mouse **LMS**



Jett Black **LJB**

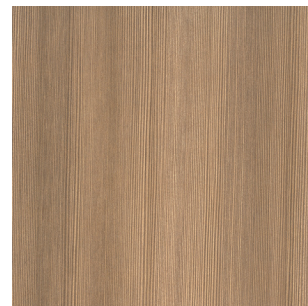
LAMINATES — WOOD LOOKS



High Line **LHL**



Park Elm **LPE**



Appears Likeatre **LAL**



Looks Likeatre **LLT**



5th Ave. Elm **LAE**



Studio Teak **LST**

TABLES — Surface Materials

LAMINATES — METAL LOOKS



Pearl Silver **LPS**



Satin Oxide **LSO**



Silver Alu Matalx **LSA**

WOOD VENEER — ASH



Clear Ash **WCA**



Natural Ash **WNA**



Taupe Ash **WTA**



Amber Ash **WAA**



Walnut Ash **WWA**



Dark Ash **WDA**

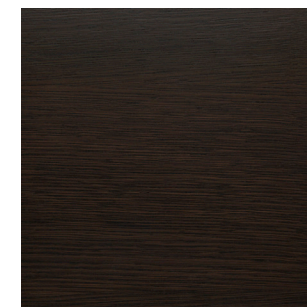
WOOD VENEER — RIFT OAK



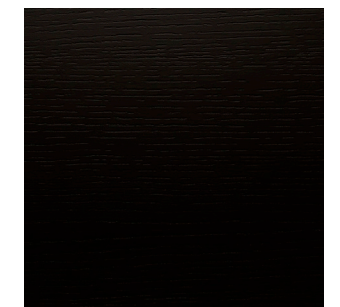
Natural Rift Oak **WNO**



Medium Rift Oak **WMO**



Dark Rift Oak **WDO**



Ebony Rift Oak **WEO**

TABLES — Surface Materials

WOOD VENEER — MAPLE



Natural Maple **WNM**

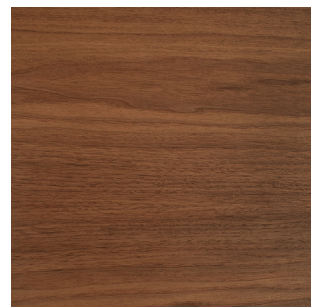


Golden Maple **WGM**

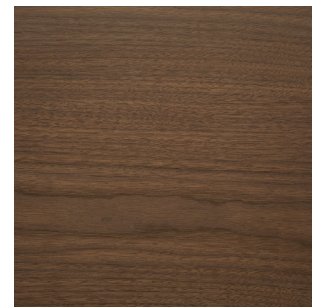


Dark Maple **WDM**

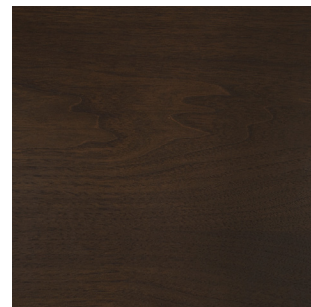
WOOD VENEER — WALNUT



Natural Walnut **WNW**

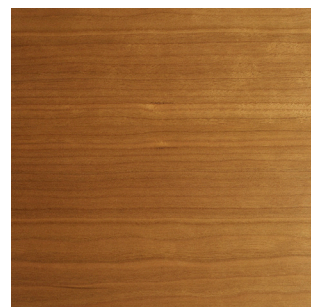


Medium Walnut **WMW**

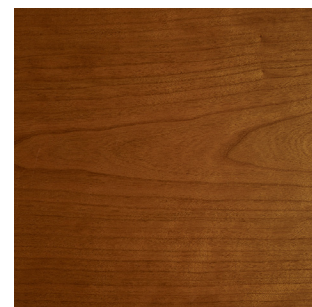


Dark Walnut **WDW**

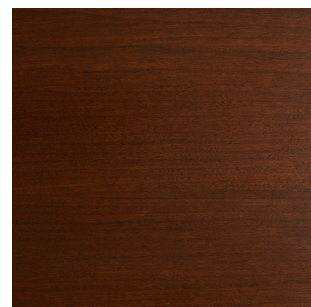
WOOD VENEER — CHERRY



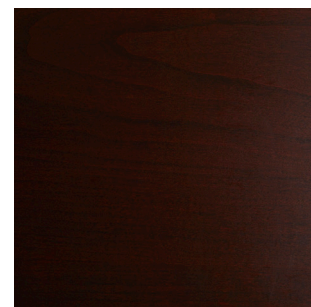
Natural Cherry **WNC**



Medium Cherry **WMC**

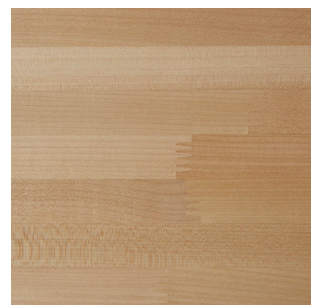


Dark Cherry **WDC**



Mahogany Over Cherry
WMA

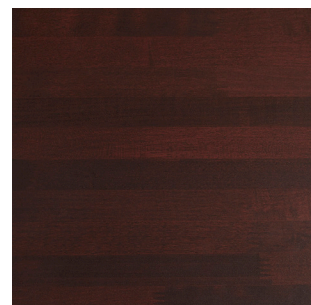
SOLID WOOD — BUTCHER BLOCK



Natural Maple **BNM**



Natural Cherry Over
Maple **BNC**



Mahogany Over Maple
BMA

TABLES — Surface Materials

CORIAN® — SOLIDS



Designer White **CDW**



Silver Gray **CSG**

CORIAN® — PATTERNS



Rain Cloud **CRC**



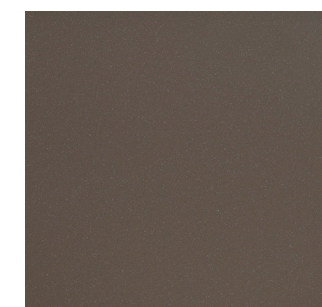
Deep Night Sky **CNS**



Glacier White **CGW**



Linen **CLN**



Deep Mink **CDM**



Deep Sable **CDS**

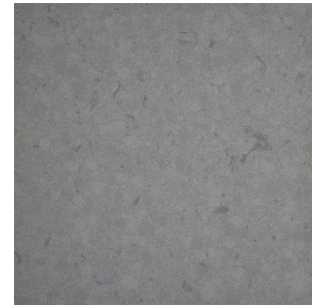
See WCI Solid Surface Reference Guide
on page 59 for additional information.

TABLES — Surface Materials

QUARTZ — CAESARSTONE®



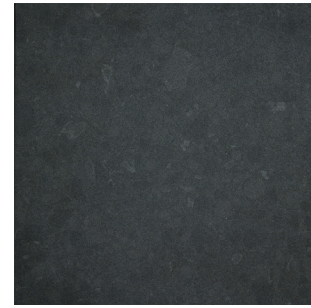
Ocean Foam **QOF**



Pebble **QPB**

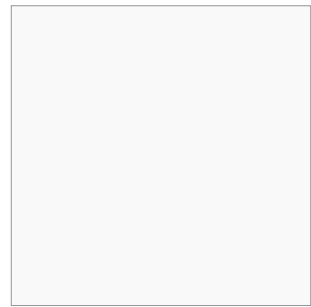


Concrete **QCT**

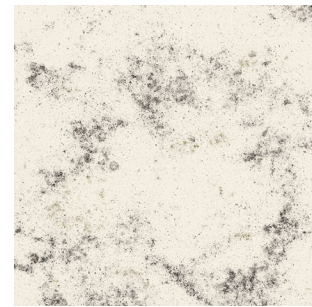


Raven **QRV**

QUARTZ — OKITE®



Bianco Assoluto **QBA**



Bianco Carrarra **QBC**



Nero Reale **QNR**

See WCI Quartz Reference Guide on page 60 for additional information.

TABLES — Materials

VINYL & PVC



Frosty White **VFW**



Surf **VSR**



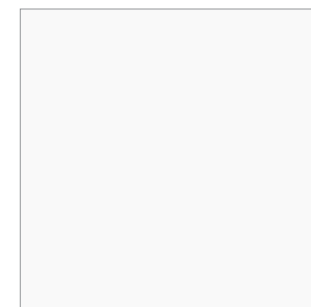
Pepperdust **VPD**



Tan **VTN**



Grey **VGY**



Designer White **VWH**



Fashion Grey **VFG**



Fog **VFO**



North Sea **VNS**



Graphine **VGP**



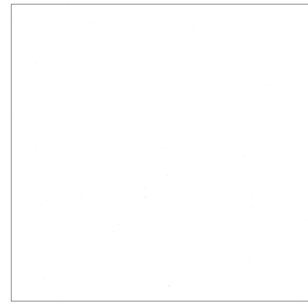
Slate Grey **VSG**



Black **VBK**

OUTDOOR TABLES – *BASE FINISHES*

POWDER COAT – SOLIDS



Matte White **MWM**



Gloss White **MWG**

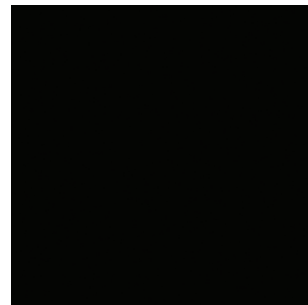


Light Grey **MLG**

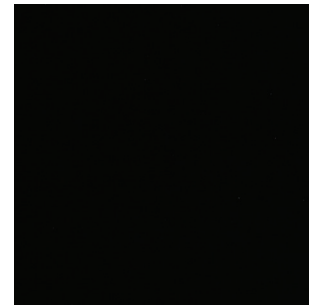


Medium Grey **MMG**

POWDER COAT – METALLICS



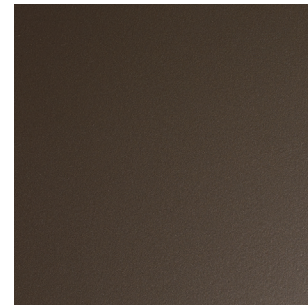
Matte Black **MBM**



Gloss Black **MBG**

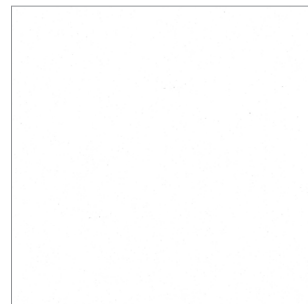


Silver **MSL**

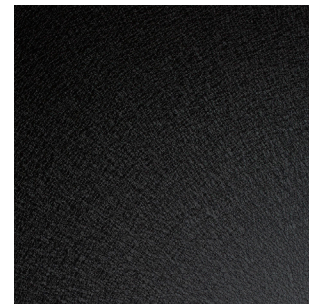


Dark Bronze **MDB**

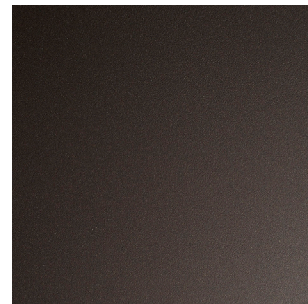
POWDER COAT – TEXTURE



White Texture **MWT**



Black Texture **MBT**



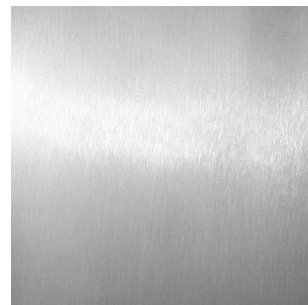
Rubbed Bronze **MRB**

CUSTOM POWDER COAT



Custom Powder Coat
CPC

ALUMINUM

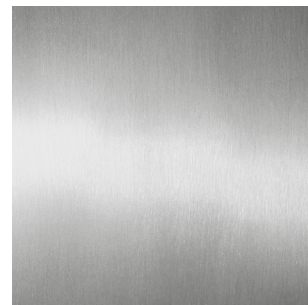


Satin Aluminum **MSA**



Polished Aluminum **MPA**

STAINLESS STEEL



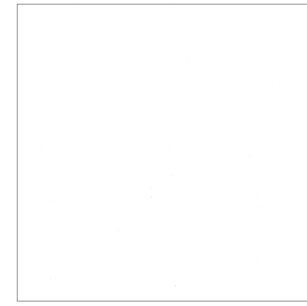
Satin Stainless Steel
MSS



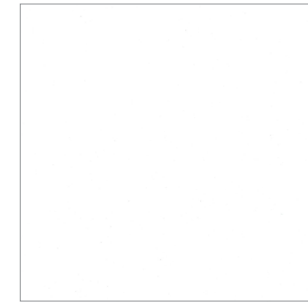
Polished Stainless Steel
MPS

OUTDOOR TABLES – *SURFACE MATERIALS*

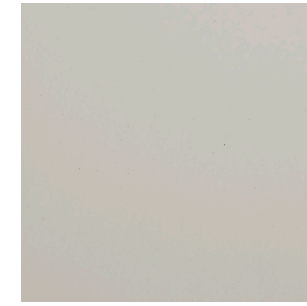
POWDER COAT – SOLIDS



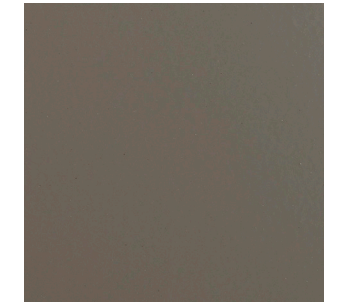
Matte White **MWM**



Gloss White **MWG**



Light Grey **MLG**

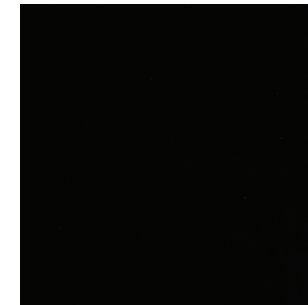


Medium Grey **MMG**

POWDER COAT – METALLICS



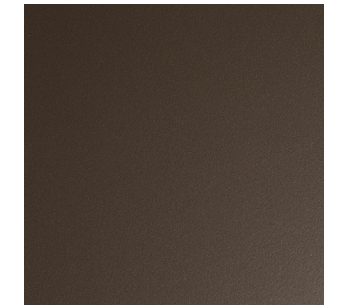
Matte Black **MBM**



Gloss Black **MBG**

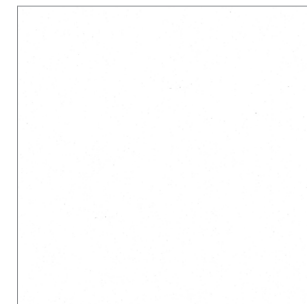


Silver **MSL**

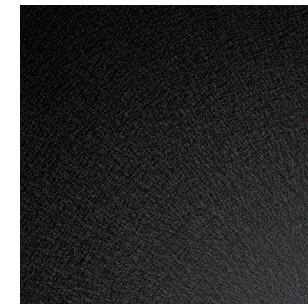


Dark Bronze **MDB**

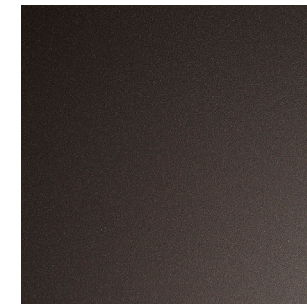
POWDER COAT – TEXTURE



White Texture **MWT**



Black Texture **MBT**



Rubbed Bronze **MRB**

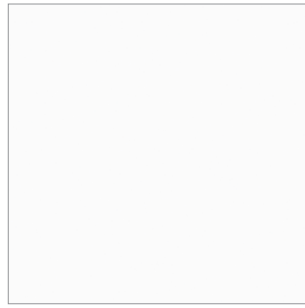
CUSTOM POWDER COAT



Custom Powder Coat
CPC

OUTDOOR TABLES— SURFACE MATERIALS

CORIAN® – SOLIDS



Designer White **CDW**



Silver Gray **CSG**

CORIAN® – PATTERNS



Rain Cloud **CRC**



Deep Night Sky **CNS**



Glacier White **CGW**



Linen **CLN**



Deep Mink **CDM**

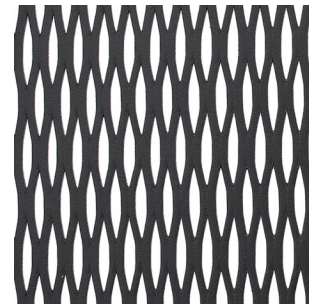


Deep Sable **CDS**

METAL



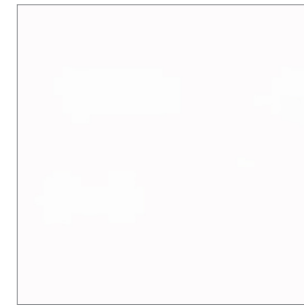
Metal Solid **MEM**



Metal Mesh **MEM**

OUTDOOR CHAIR – MATERIALS

POLYPROPYLENE



White **PWH**

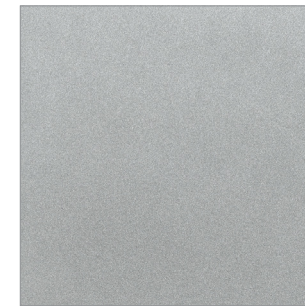
OUTDOOR CHAIR – *Frame Finishes*

ALUMINUM



Polished Aluminum **MPA**

POWDER COAT



Silver **MSL**

CUSTOM POWDER COAT



Custom Powder Coat
MSL

WCI's standard laminate palette offers 19 solid, wood look, patterned, and metal look laminates all of which are available at standard pricing and lead times.

Materials	Manufacturer Code	Manufacturer Name	WCI Code
Solids			
Formica	7197-58	Dover White	LDV
Wilsonart	D354-60	Designer White	LDW
Wilsonart	D381-60	Fashion Grey	LFG
Formica	928-58	Mouse	LMS
Nevamar	S6053T	Jett Black	LJB
Wood Looks			
Wilsonart	7970K-18	High Line	LHL
Wilsonart	7967K-12	Park Elm	LPE
Pionite	WP115	Appears Likeatre	LAL
Pionite	WP110	Looks Likeatre	LLT
Wilsonart	7966K-12	5th Ave. Elm	LAE
Wilsonart	7960K-18	Studio Teak	LST
Pionite	AG021	Sable	LSB
Patterns			
Nevamar	VA7002T	Cool Chic	LCC
Nevamar	VA5001T	Serene Stardom	LSS
Nevamar	VA6001T	Calm Distinction	LCD
Nevamar	VA5002T	Easy Elegance	LEE
Metal Looks			
Wilsonart	D487-07	Pearl Silver	LPS
Wilsonart	4832K-07	Satin Oxide	LSO
Nevamar	MXT003T	Silver Alu Metalx	LSA

Standard Laminates: WCI offers 19 standard laminates including: Formica, Nevamar, Pionite, and Wilsonart. To see an expanded offering, please visit the laminate manufacturers' websites at:

- formica.com
- nevamar.com
- pionite.com
- wilsonart.com

Non-standard laminates from Formica, Nevamar, Pionite, and Wilsonart are also available. Non-standard WCI laminates will incur a minimum of 150 list set-up charge per laminate color. Please contact WCI Customer Service at 844-815-2217 for all special laminate requests.

Premium Laminates: Other laminates from these manufacturers or laminates from other manufacturers are available, such as Arborite®, Laminart®, and Abet Laminati®. These require a special pricing; please contact WCI's Customer Service Department at 844-815-2217 for all special laminate requests.

West Coast Industries prides itself on nearly limitless materials and finishes, whether standard or custom. This is an aesthetic playground where clients conjure combinations unique in every way. Get lost in our palette below, or take your creativity beyond with custom colors. We empower clients with the unencumbered freedom to create when designing and specifying our furniture.

Want more colors? Send in a sample chip, and the WCI team will match the color to help you achieve your ideal custom project palette.



	Standard Laminates				Vinyl/PVC Edges											
	Manufacturer	Manufacturer Code	WCI Code	Name	VFW Frosty White	VSR Surf	VPD Pepperdust	VTN Tan	VGY Grey	VWH Designer White	VFG Fashion Grey	VFO Fog	VNS North Sea	VGP Graphite	VSG Slate Grey	VBK Black
Solids	Formica	7197-58	LDV	Dover White	P											
	Wilsonart	D354-60	LDW	Designer White					P							
	Wilsonart	D381-60	LFG	Fashion Grey						P						
	Formica	928-58	LMS	Mouse								P				
	Nevamar	S6053-T	LJB	Jett Black												P
Wood Looks	Wilsonart	7970K-18	LHL	High Line				P								
	Wilsonart	7967K-12	LPE	Park Elm				P								
	Pionite	WP115	LAL	Appears Likeatre				P								
	Pionite	WP110	LLT	Looks Likeatre			P		C							
	Wilsonart	7966K-12	LAE	5th Ave. Elm					P							
	Wilsonart	7960K-18	LST	Studio Teak											P	
	Pionite	AG021	LSB	Sable										P		C
Patterns	Nevamar	VA7002T	LCC	Cool Chic		P										
	Nevamar	VA5001T	LSS	Serene Stardom								P				
	Nevamar	VA6001T	LCD	Calm Distinction								P				
	Nevamar	VA5002T	LEE	Easy Elegance										C	P	C
Metal Looks	Wilsonart	D487--07	LPS	Pearl Silver						P						
	Wilsonart	4832K-07	LSO	Satin Oxide			P				C					
	Nevamar	MXT003T	LSA	Silver Alu Metalx							P	C				

P : Primary Match (recommended)
 C : Compatible Match (alternative)

3form® Chroma®

3form® Chroma® is a solid surface material produced from optical grade engineered resin providing luminous color for horizontal table top applications. Ideal for high-end detail with a minimalist design aesthetic.

WCI 3form® Standard Colors	WCI Code
White Out	FWH
Pewter	FPW
Sable	FSB
Camel	FCA
Marmalade	FMA
Atlantic	FAC
Aloe	FAE
Moss	FMS
Sassy	FSY
Eggplant	FEG

3form® Chroma® tops are sold separately. Custom size and shape tops and additional colors are available and require special pricing from WCI's Customer Service Department. A minimum of five 3form® Chroma® tops is required, per color, for non-standard 3form® Chroma® top orders. Please contact WCI Customer Service at 844-815-2217 for all special 3form® Chroma® requests. To order samples or to see an expanded offering, please visit 3form's website: www.3-form.com/order/

Corian®

Corian® is a solid surface material created by DuPont, composed of acrylic polymer and alumina trihydrate. Corian® is available in a vast range of trendsetting patterns and tones.

WCI Corian® Standard Colors	WCI Code
Designer White	CDW
Silver Gray	CSG
Rain Cloud	CRC
Deep Night Sky	CNS
Glacier White	CGW
Linen	CLN
Deep Mink	CDM
Deep Sable	CDS

Corian® tops are not sold separately as a standard product. All top-only requests must be processed as a custom product. Steel sub-frames are designed to fit only WCI's standard bases. A minimum of five Corian® tops, per color, is required for non-standard Corian® top orders. To see an expanded offering, please visit Corian's website: www.dupont.com

Caesarstone® Quartz and Okite® Quartz

Engineered stone tops offer one of the most durable stone composite surfaces. They are one of the toughest yet most beautiful of all minerals and have the look and feel of stone offering a more non-porous, scratch-resistant, stain-resistant and heat-resistant properties.

Q1

WCI Ceasarstone® Standard Colors	Manufacturer Code	WCI Code
Ocean Foam	6141	QQF
Pebble	4030	QPB
Concrete	2003	QCO
Raven	4120	QRV

Q2

WCI Okite® Standard Colors	Manufacturer Code	WCI Code
Bianco Assoluto	1665	QBA
Bianco Carrara	1896	QBC
Nero Reale	1804	QNR

Quartz tops are not sold separately as a standard product. The material is only available for the following tables:

- Basic Round
- Blok
- Brae
- Brae Double
- Canvas
- Cube
- Cylinder
- Disc
- Flat Round
- Kone
- Parsons
- Platform
- Platform Double
- Regency
- Tulip
- Vista

Our standard quartz top offering features Okite® and Caesarstone® and is composed of up to 93% natural quartz and polymer resin.

To see an expanded offering, please visit the manufacturers' websites.

Caesarstone®: caesarstoneus.com/products

Okite®: okite.com/us/prodotti

A minimum of five quartz tops, per color, is required for non-standard quartz top orders.

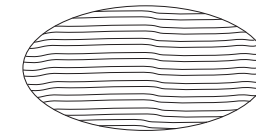
WCI wood veneer is book matched as standard.

For custom veneer patterns contact customer service at **844-815-2217** for quotation.

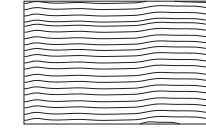
Long grain is standard on all WCI tables.

Single piece tables are available in lengths longer than 10' and are subject to material length availability.

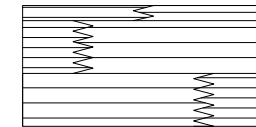
Note: Material length restrictions may require WCI to manufacture the tables in two or more sections.



Long grain is standard on all WCI oval table tops



Long grain is standard on all WCI rectangle tables.



Finger jointed strips are standard on all WCI butcher block table requests.

WCI Standard Veneer Specification

Oak: White Oak, Rift cut, Slip match

Walnut: Walnut, Plain sliced, Book match

Cherry: Cherry, Plain sliced, Book match

Maple: Maple, Plain sliced, Book match

Ash: White ash, Quarter sawn, Slip match

Stain-to-Match

Send all stain-to-match samples marked with WCI's quote number. If you do not have a quote number please mark with project name and send to:

West Coast Industries

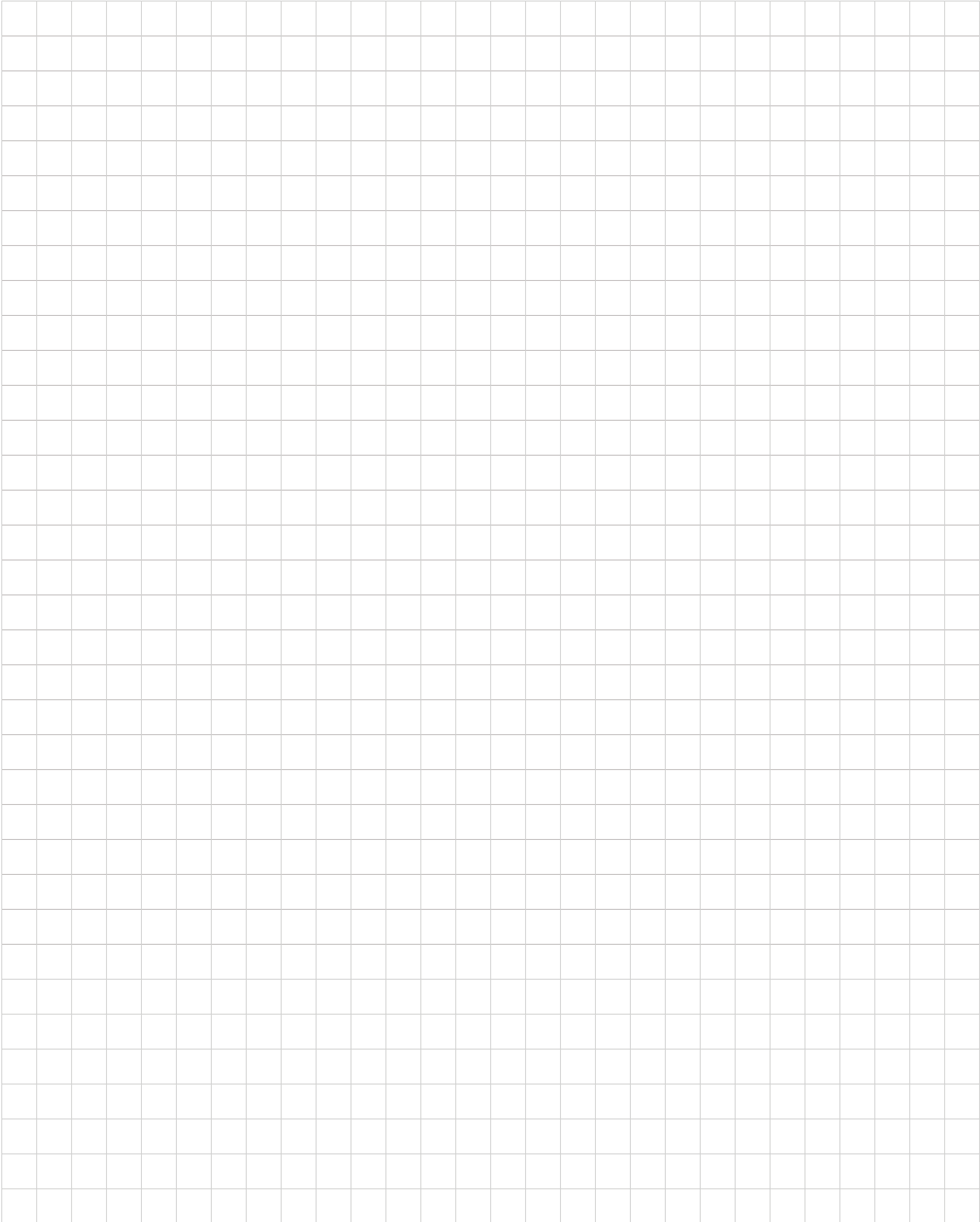
Attn: Order Entry

2779 East El Presidio ST.

Carson, CA 90810

The stain-to-match process takes 10 days.

CREATE



**Technical
Masters,
Rebellious
Thinkers,
Creative
Partners.**

