



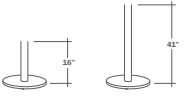

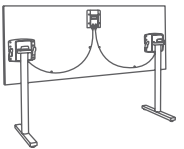

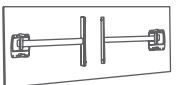

OPTIONS ONLY PRICING

August 2022

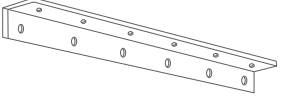
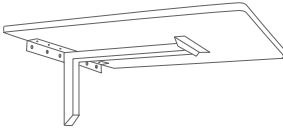
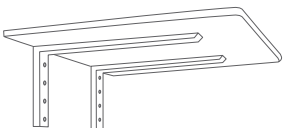
**WEST
COAST
INDUSTRIES**

OPTIONS PRICING

Base Options

AH	Alternate Height Base	69	GSL	Super Level Glides	36
	WCI table bases are available in a custom height within the range of 16" – 41" (per column). Alternate height Florentine bases are 174.			Overall height of .75" is recommended for use on uneven or hard surface floors. Eliminates table wobble by automatically self-leveling. Adjusts up to .25" of wobble. Super level glides will not affect the overall height of the table. Super Level Glides are not available on Blok, Disc, Kone or Platform series. Sold in set of 5 (per base).	
TMX/TMT	Tilt-top with Standard Cable Release	X-base 284 T-base 439	TWC2	Casters 2" Twin Wheel	59
	For use on table bases with up to a 2.5" column diameter. The cable release mechanism activates both mechanisms on a table with two single column T-bases. It is not available on TT bases or Post Leg.			Twin Wheel Casters are 2" diameter black nylon with a black nylon hood and locking tab. Casters will not affect the overall height of the table. Casters are available on Dunhill, Mark IV, Plus, Post Leg, Slimline and Tuscan series. Sold in set of 4.	
FM	Folding Mechanism	T-base 284	MWC3	Casters 3" Mag Wheel	175
	Folding table mechanism must be activated individually. The folding mechanism is available on Dunhill, Mark IV, Plus, Slimline and Tuscan T-bases only. It is not available on TT bases or Post Leg. For use on tables bases with up to a 2.5" column diameter.			Mag Wheel Casters are 3" diameter, single wheel, black polyurethane, with a spoked cast iron core, black chrome plated fork finish and a top locking tab. Casters will not affect the overall height of the table. Casters are available on Vista tables series only. Not Available on Vista with Quartz tops. Sold in set of 4.	

Wall Cleats and Cantilever



	Size	Maximum Top Size	Model #	
Wall Cleat	20	36" wide	WC20	49
				
Cantilever Table Bracket Single	16	21	30" x 36"	CTBS21
	16	33	30" x 48"	CTBS33
				
Cantilever Table Bracket Double	12	12	24" x 24"	CTBD12
	16	18	30" x 24"	CTBD18
	16	24	30" x 30"	CTBD24
	16	30	36" x 36"	CTBD30
	16	36	36" x 42"	CTBD36
	16	42	36" x 48"	CTBD42
				

OPTIONS PRICING



Top Options

CS & CSH	Custom Size/Shape	1
	WCI can manufacture many different size and shape tops; please call customer service 844-815-2217 for more information	
CET	Custom Edge Thickness	1
	WCI can manufacture specific customer edge thickness; please call customer service 844-815-2217 for more information	
CRC	Custom Radius Corner	86
	WCI can manufacture specific custom radius corners; please call customer service 844-815-2217 for more information	
CRL3	3" Radius Corner	36
	3" Radius corners are available on laminate tops with a self-edge, also available on Ultrafoam and Corian® tops. (per corner)	
CRW3	3" Wood Radius Corner	86
	3" Radius corners are available on laminate tops with wood edges. Not available in LWFL, WWFL, LWPI, WWPI (per corner)	
UMB	2" Umbrella Hole	260
	Available on Outdoor Basic Round, Bistro, Flat Round, Disc, Park and Platform tables only (per table).	

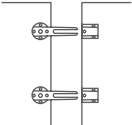
Grommets

GMBM, GMSC & GMPC	2" Round Metal Grommet	145
	Matte black (GMBM), Satin chrome (GMSC) Polished chrome (GMPC)	
GPMBM	2" Round Plastic Grommet	46
	Matte black (GPMBM)	

Wire Management

WMJ	Black Plastic J-Trough 48" long	122
	Under table mounted J-trough provides concealed cable management. Matte black plastic, attachment hardware not included.	
WML	Legway Wire Manager 26"	59
	Vertical trough provides concealed cable management. Matte black plastic, attachment adhesive included.	

Ganging Clips

GC	Ganging Clips	155
	Connects two table tops for use as one large table. Friction and bolt release allows for quick separation. Set includes two clips and two brackets. One set is recommended per table side.	

Node®



The Node's clean, flush mount design complements a wide range of aesthetics. Its design is versatile yet discreet, offering a range of power, data, and USB configurations.

Standard Features:		Canvas only	All Other Tables
Finishes:	Parchment, Black, Silver		
Configurations:			
NOD2-A	2 Power	738	173
NOD2-B	1 Power and 2 USB chargers	810	244
NOD2-C	1 Power and 1 USB-A and 1 USB_C	810	244
Cord Lengths:	72" or 120" (Standard)		

Tully®



Traditional meeting and collaborative tables aren't the only places people work today. WCI's custom designed banquettes and seating offer comfortable, flexible workspaces which keep you connected. Tully tucks right into those comfortable spaces to keep you powered up. Tully also mounts discreetly under that collaborative work surface.

Standard Features:		Canvas only	All Other Tables
Finishes:	White Plastic w/ Silver Braided Cord, Black Plastic w/ Gunmetal Braided Cord		
Configurations:			
TUL3	1 Power and 2 USB-A and 1 USB-C (9" or 2" tail)	930	360
Cord Lengths:	120" Braided Cord (Standard)		
ETL Listed			

Mini-Tap®

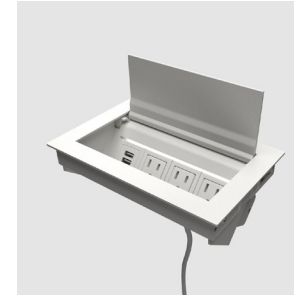


The Mini-Tap Power provides 2 outlets with key slots, allowing the power to be placed near the edge of the work surface. A great option to avoid cutting into the surface, and offering easy access to power.

Standard Features:		Canvas only	All Other Tables
Finishes:	Black only		
Configurations:			
MIN2-A	2 Power	682	114
MIN2-B	1 Power and 1 USB-A	766	198
Cord Lengths:	72" or 120" (Standard)		
Assembly required			

Node®, Tully®, Mini-Tap®, Ellora® B, Double Ellora® B, and MS2 — BYRNE electric.
Customer may specify alternate power and data modules. Modules must be approved by WCI engineering.

Ellora® B



Ellora B manages power and data with ease. With its clean powder coated finish and seamless, one-piece aluminum frame, the design is contemporary and understated. When in use, the lid opens for easy access at the work surface but closes softly to hide cable clutter out of sight.

Standard Features:		Canvas only	All Other Tables
Finishes:	Matte White, Matte Fog, Matte Storm		
Configurations:			
SEL4-A	3 Power and 1 USB	958	390
SEL4-B	2 Power and 2 USB	1,042	460
SEL4-C	4 Power	958	390
Cord Lengths:	72" or 120" (Standard)		
UL Listed			

Double Ellora® B



Double Ellora B offers the same seamless in-surface design as the classic Ellora B maintaining the same contemporary and understated design. The same scalable power and data options are available—but doubled—so it can deliver easy access from both sides of the table.

Standard Features:		Canvas only	All Other Tables
Finishes:	Matte White, Matte Fog, Matte Storm		
Configurations:			
DEL4-A	2 Power and 1 USB charger and 1 USB A+C (each side)	1,480	912
DEL4-B	4 Power	1,259	745
Cord Lengths:	72" or 120" (Standard)		
UL Listed			

MS2



MS2 is a side-by-side solution for conference tables that provides access to power and data from both sides or one side. Thanks to its one-touch access in a streamlined design, MS2 power and data is totally concealable. MS2 can be customized with a full line of technology accessories.

Standard Features:		Canvas only	All Other Tables
Finishes:	Silver Anodized Aluminum Black Anodized Aluminum		
Configurations:			
MS24-A	2 Power and 1 USB charger and 1 USB A+C (each side) Silver Anodized Aluminum	1,480	912
MS24-B	2 Power and 1 USB charger and 1 USB A+C (each side) Black Anodized Aluminum	1,259	745
Cord Lengths:	72" or 120" (Standard)		
UL Listed			
		72' Hard wired (Anodized Aluminum Only)	

Includes a Voice/Data Adapter Kit (BE01421) to accept couplers & jacks when required
Configurations with four or more power receive a Circuit Breaker Cord