



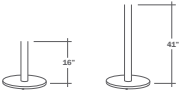

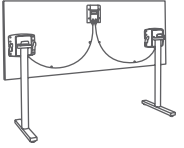

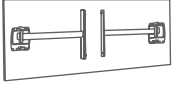

# OPTIONS, POWER & DATA PRICING

2023

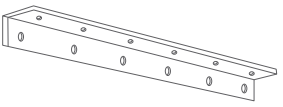
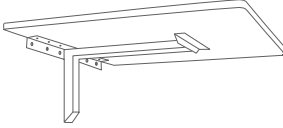
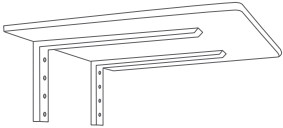
**WEST  
COAST  
INDUSTRIES**

## OPTIONS PRICING

### Base Options

<b>AH</b>	<b>Alternate Height Base</b>	<b>76</b>	<b>GSL</b>	<b>Super Level Glides</b>	<b>40</b>
	WCI table bases are available in a custom height within the range of 16" – 41" (per column). Alternate height Florentine bases are 174.			Overall height of .75" is recommended for use on uneven or hard surface floors. Eliminates table wobble by automatically self-leveling. Adjusts up to .25" of wobble. Super level glides will not affect the overall height of the table. Super Level Glides are not available on Blok, Disc, Kone or Platform series. Sold in set of 5 (per base).	
<b>TMX/TMT</b>	<b>Tilt-top with Standard Cable Release</b>	<b>X-base 312 T-base 483</b>	<b>TWC2</b>	<b>Casters 2" Twin Wheel</b>	<b>65</b>
	For use on table bases with up to a 2.5" column diameter. The cable release mechanism activates both mechanisms on a table with two single column T-bases. It is not available on TT bases or Post Leg.			Twin Wheel Casters are 2" diameter black nylon with a black nylon hood and locking tab. Casters will not affect the overall height of the table. Casters are available on Dunhill, Mark IV, Plus, Post Leg, Slimline and Tuscan series. Sold in set of 4.	
<b>FM</b>	<b>Folding Mechanism</b>	<b>T-base 312</b>	<b>MWC3</b>	<b>Casters 3" Mag Wheel</b>	<b>193</b>
	Folding table mechanism must be activated individually. The folding mechanism is available on Dunhill, Mark IV, Plus, Slimline and Tuscan T-bases only. It is not available on TT bases or Post Leg. For use on tables bases with up to a 2.5" column diameter.			Mag Wheel Casters are 3" diameter, single wheel, black polyurethane, with a spoked cast iron core, black chrome plated fork finish and a top locking tab. Casters will not affect the overall height of the table. Casters are available on Vista tables series only. Not Available on Vista with Quartz tops. Sold in set of 4.	

### Wall Cleats and Cantilever



	Size	Maximum Top Size	Model #	
<b>Wall Cleat</b>	<b>20</b>	<b>36" wide</b>	<b>WC20</b>	<b>54</b>
				
<b>Cantilever Table Bracket Single</b>	<b>16</b>	<b>21</b>	<b>30" x 36"</b>	<b>CTBS21</b>
	<b>16</b>	<b>33</b>	<b>30" x 48"</b>	<b>CTBS33</b>
				
<b>Cantilever Table Bracket Double</b>	<b>12</b>	<b>12</b>	<b>24" x 24"</b>	<b>CTBD12</b>
	<b>16</b>	<b>18</b>	<b>30" x 24"</b>	<b>CTBD18</b>
	<b>16</b>	<b>24</b>	<b>30" x 30"</b>	<b>CTBD24</b>
	<b>16</b>	<b>30</b>	<b>36" x 36"</b>	<b>CTBD30</b>
	<b>16</b>	<b>36</b>	<b>36" x 42"</b>	<b>CTBD36</b>
	<b>16</b>	<b>42</b>	<b>36" x 48"</b>	<b>CTBD42</b>
				

## OPTIONS PRICING



### Top Options

<b>CS &amp; CSH</b>	<b>Custom Size/Shape</b>	<b>95</b>
	WCI can manufacture many different size and shape tops; please call customer service 844-815-2217 for more information	
<b>CET</b>	<b>Custom Edge Thickness</b>	<b>95</b>
	WCI can manufacture specific customer edge thickness; please call customer service 844-815-2217 for more information	
<b>CRC</b>	<b>Custom Radius Corner</b>	<b>95</b>
	WCI can manufacture specific custom radius corners; please call customer service 844-815-2217 for more information	
<b>CRL3</b>	<b>3" Radius Corner</b>	<b>40</b>
	3" Radius corners are available on laminate tops with a self-edge, also available on Ultrafoam and Corian® tops. (per corner)	
<b>CRW3</b>	<b>3" Wood Radius Corner</b>	<b>95</b>
	3" Radius corners are available on laminate tops with wood edges. Not available in LWFL, WWFL, LWPI, WWPI (per corner)	
<b>UMB</b>	<b>2" Umbrella Hole</b>	<b>286</b>
	Available on Outdoor Basic Round, Bistro, Flat Round, Disc, Park and Platform tables only (per table).	

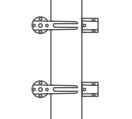
### Grommets

<b>GMBM, GMSC &amp; GMPC</b>	<b>2" Round Metal Grommet</b>	<b>160</b>
	Matte black (GMBM), Satin chrome (GMSC) Polished chrome (GMPC)	
<b>GPMBM</b>	<b>2" Round Plastic Grommet</b>	<b>51</b>
	Matte black (GPMBM)	

### Wire Management

<b>WMJ</b>	<b>Black Plastic J-Trough 48" long</b>	<b>134</b>
	Under table mounted J-trough provides concealed cable management. Matte black plastic, attachment hardware not included.	
<b>WML</b>	<b>Legway Wire Manager 26"</b>	<b>65</b>
	Vertical trough provides concealed cable management. Matte black plastic, attachment adhesive included.	

### Ganging Clips

<b>GC</b>	<b>Ganging Clips</b>	<b>171</b>
	Connects two table tops for use as one large table. Friction and bolt release allows for quick separation. Set includes two clips and two brackets. One set is recommended per table side.	

Node®



The Node's clean, flush mount design complements a wide range of aesthetics. Its design is versatile yet discreet, offering a range of power, data, and USB configurations.

Standard Features:		Canvas only	All Other Tables
Finishes:	Parchment, Black, Silver		
<b>Configurations:</b>			
NOD2-A	2 Power	812	190
NOD2-B	1 Power and 2 USB chargers	891	268
NOD2-C	1 Power and 1 USB-A and 1 USB_C	891	268
Cord Lengths:	72" or 120" (Standard)		

Tully®



Traditional meeting and collaborative tables aren't the only places people work today. WCI's custom designed banquettes and seating offer comfortable, flexible workspaces which keep you connected. Tully tucks right into those comfortable spaces to keep you powered up. Tully also mounts discreetly under that collaborative work surface.

Standard Features:		Canvas only	All Other Tables
Finishes:	White Plastic w/ Silver Braided Cord, Black Plastic w/ Gunmetal Braided Cord		
<b>Configurations:</b>			
TUL3	1 Power and 2 USB-A and 1 USB-C (9" or 2" tail)	1,053	396
Cord Lengths:	120" Braided Cord (Standard)		
ETL Listed			

Mini-Tap®



The Mini-Tap Power provides 2 outlets with key slots, allowing the power to be placed near the edge of the work surface. A great option to avoid cutting into the surface, and offering easy access to power.

Standard Features:		Canvas only	All Other Tables
Finishes:	Black only		
<b>Configurations:</b>			
MIN2-A	2 Power	750	125
MIN2-B	1 Power and 1 USB-A	842	218
Cord Lengths:	72" or 120" (Standard)		
Assembly required			

Node®, Tully®, Mini-Tap®, Ellora® B, Double Ellora® B, and MS2 — BYRNE electric.  
Customer may specify alternate power and data modules. Modules must be approved by WCI engineering.

Ellora® B



Ellora B manages power and data with ease. With its clean powder coated finish and seamless, one-piece aluminum frame, the design is contemporary and understated. When in use, the lid opens for easy access at the work surface but closes softly to hide cable clutter out of sight.

Standard Features:		Canvas only	All Other Tables
Finishes:	Matte White, Matte Fog, Matte Storm		
<b>Configurations:</b>			
SEL4-A	3 Power and 1 USB	1,053	429
SEL4-B	2 Power and 2 USB	1,146	506
SEL4-C	4 Power	1,053	429
Cord Lengths:	72" or 120" (Standard)		
UL Listed			

Double Ellora® B



Double Ellora B offers the same seamless in-surface design as the classic Ellora B maintaining the same contemporary and understated design. The same scalable power and data options are available—but doubled—so it can deliver easy access from both sides of the table.

Standard Features:		Canvas only	All Other Tables
Finishes:	Matte White, Matte Fog, Matte Storm		
<b>Configurations:</b>			
DEL4-A	2 Power and 1 USB charger and 1 USB A+C (each side)	1,628	1,003
DEL4-B	4 Power	1,385	820
Cord Lengths:	72" or 120" (Standard)		
UL Listed			

MS2



MS2 is a side-by-side solution for conference tables that provides access to power and data from both sides or one side. Thanks to its one-touch access in a streamlined design, MS2 power and data is totally concealable. MS2 can be customized with a full line of technology accessories.

Standard Features:		Canvas only	All Other Tables
Finishes:	Silver Anodized Aluminum Black Anodized Aluminum		
<b>Configurations:</b>			
MS24-A	2 Power and 1 USB charger and 1 USB A+C (each side) Silver Anodized Aluminum	1,628	1,003
MS24-B	2 Power and 1 USB charger and 1 USB A+C (each side) Black Anodized Aluminum	1,385	820
Cord Lengths:	72" or 120" (Standard)		
UL Listed	72' Hard wired (Anodized Aluminum Only)		

Includes a Voice/Data Adapter Kit (BE01421) to accept couplers & jacks when required  
Configurations with four or more power receive a Circuit Breaker Cord